



# OWNERS MANUAL



## OWNERS MANUAL PHYSIO II

Hello and welcome as owner of a ■tarsus■ Physio therapy table. This manual is for the model Physio I. Please read it carefully so that you handle the product properly. If you have any specific questions, we would be delighted to hear from you. Greetings from us at ■tarsus■.

### Content

- I. Specification of accessories
- II. Description of functions
- III. Maintenance & cleaning
- IV. Description, technical documentation
- V. Exchange of components

The tables should be used for treatment of patients only, with the patient lying or sitting. For maximum life of the product, make sure that no sharp objects cut the artificial leather of the pads, and that the wooden sheets and the aluminum frame is not overloaded.

**OBSERVE! The operator MUST read this owners manual very carefully, before the product is being used, to avoid unnecessary risks for both patients and operators.**

Postal address

Myrängsvägen 8  
S-891 50 Örnsköldsvik, SWEDEN

Phone

+46 660 842 51

Fax

+46 660 180 00

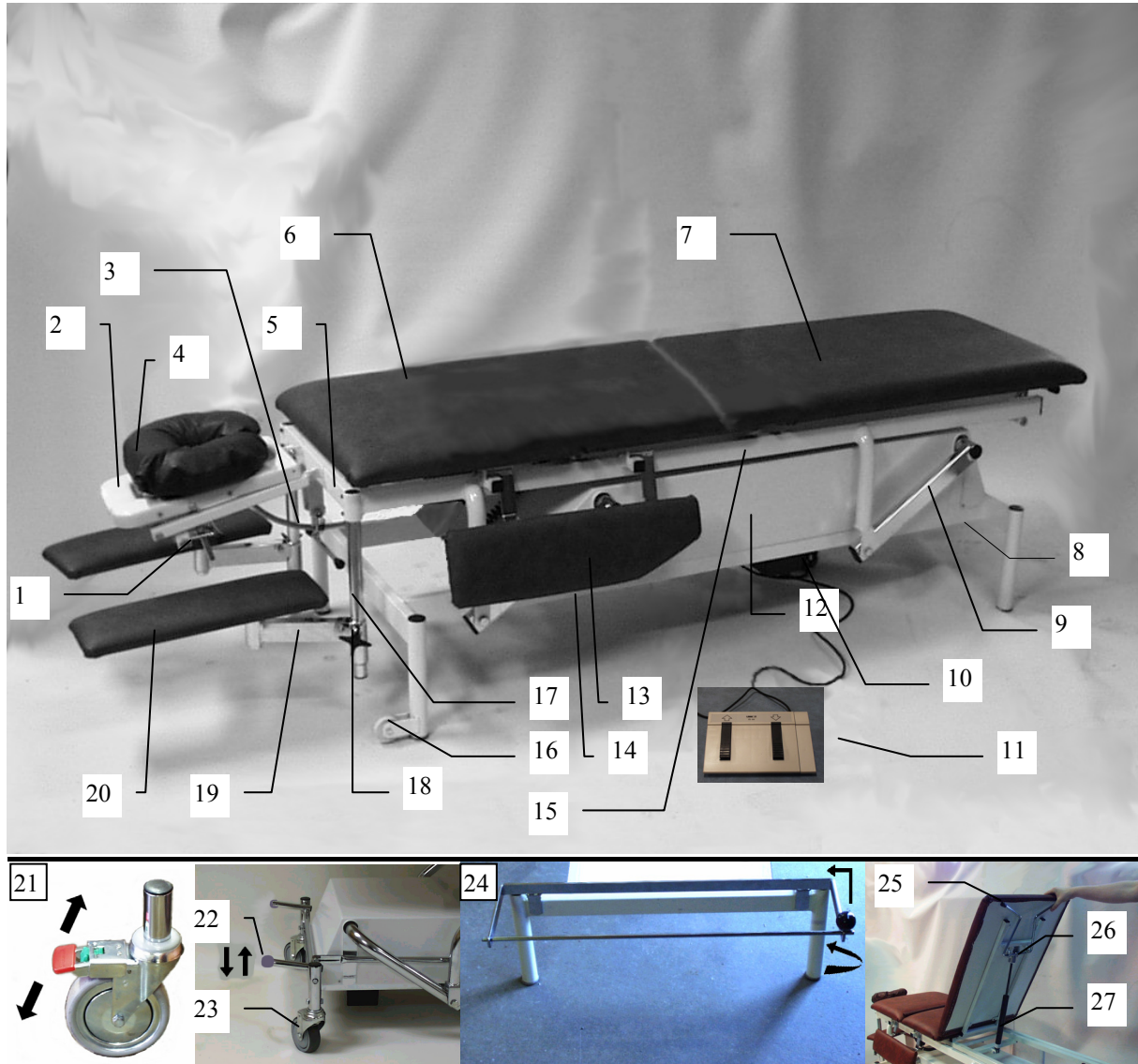
Web site

[www.tarsus.se](http://www.tarsus.se)

E-mail

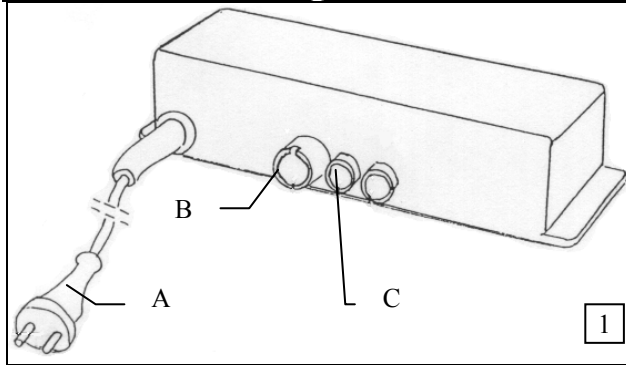
[info@tarsus.se](mailto:info@tarsus.se)

# I. Specification of accessories



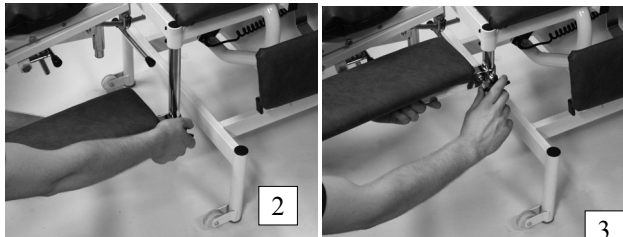
<u>No.</u>	<u>Item</u>
1	Locking of the horizontal position
2	Headrest
3	Locking of raising & lowering of the headrest
4	Cushion for the headrest
5	Space for extra hand control for the heightening & lowering
6	Pad, front
7	Pad, rear
8	Frame
9	Lifting bow
10	Power supply
11	Feet pedal
12	Protective plastic shield
13	Side flap
14	Motor, or hydraul, for the heightening & lowering
15	Lying pad
16	Transport castors
17	Attachments for the arm rest holders
18	Locking device for the arm rests
19	Arm rest holder
20	Arm rest pad
21	Locking castors
22	Foot pedal for locking of central locking castors
23	Central locking castors
24	Paper roll holder
25	Gas spring adjuster
26	Gas spring
27	Gas spring attachment

## II. Description of functions



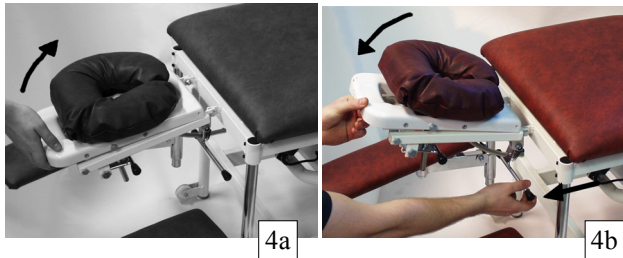
1. Connections for the motors and the wall socket.
- A) Plug for wall socket
- B) Feet pedal
- C) Lifting motor
- D) Tipping motor

2-3. The adjustable arm rests are to be mounted on the chromed pipes. **NOTE! Don't screw on the locking handle when the fastener is not mounted on the pipe. The metal on the expansion function might be damaged.** The armrests are regulated both in height and side with a handle and an expansion locking for soft and efficient locking.



**NOTE! Do not overload the armrests. They are only intended for support of patient's arms and hands during treatment.**

4. The headrest is regulated both in height and horizontal by a locking device.

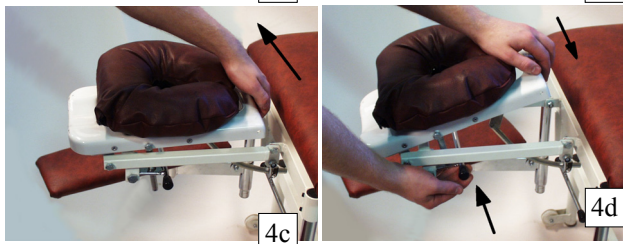


A. To raise the headrest, lift it upwards.

B. To lower it, lift the locking device and push the headrest gently downwards.

C. To raise the horizontal position, lift closest to the bench.

D. To lower the horizontal position, lift the locking device and lower to desired position.



5. The cushion is movable along the headrest. If the patient's shoulders are to be still against the pads of the bench, the cushion is to be placed closed to the bench. Should the arms be hanging free from the bench, releasing the shoulder joint, move the cushion forward on the headrest. The cushion could be placed in reverse position, if needed, to give extra support to patient lying on the back.



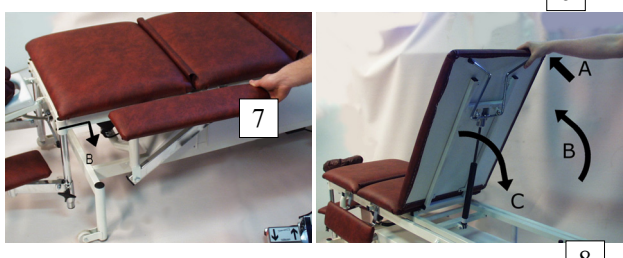
**NOTE! The head rest is intended only for supporting the patient's head. Don't overload! Overloading may cause risk both to the patient and the product.**



6-7. The side supports are adjusted according to pictures 6 and 7, (A and B).



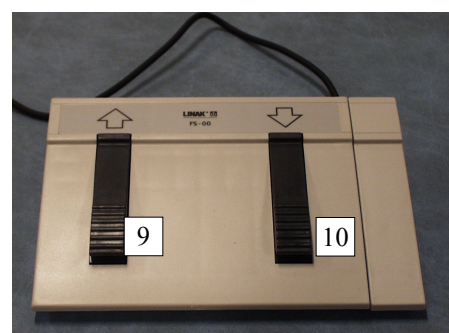
**NOTE! Don't overload the side supports! They're only to be used for supporting the patient's arms and hands.**



8. When adjusting the back support / leg part, press the handle for the gas spring (A) to desired position, up (B) and down (C).



**NOTE! Don't overload the back support / leg part! It's only intended to support the back and legs and to stretch *m. iliopsoas*. Do NOT sit on the raised back support. Overloading may cause risk both to the patient and the product.**

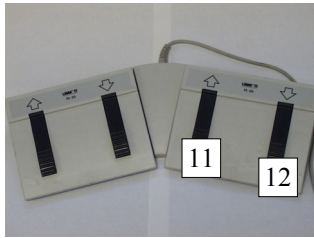


**The electrically adjustable model:**

9. To raise the couch, press the left button.

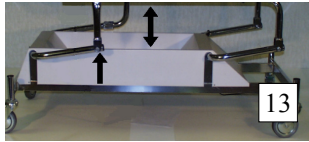
10. To lower the couch, press the right button.





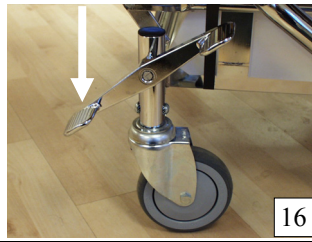
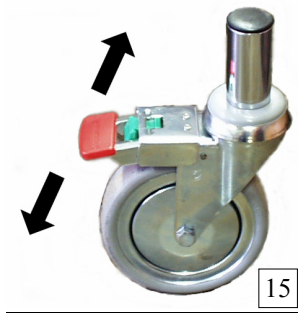
11. Press the pedal on marked position for raising of the traction /drainage position.

12. Press/pump the shorter part of the pedal (B). Keep pressing until you reach the desired height.



13. **NOTE!** When adjusting the treatment couch up or down, there could be a risk of pinching (see arrows). Make sure that no one is within the working area.

14. **NOTE!** When adjusting the traction /drainage position, there could be a risk of pinching (see arrows). Make sure that no one is within the working area.



15. You lock the castors by pressing the red button on the castor and release the locking device by pressing the green button.

16-17. Central-locking. Press the outside part of the double pedal for locking (see image 16). Release by pressing down the inside part (see image 17).

18. The pair of small castors, included as standard, is to be used as in picture 16. Lift in the frame, not the pad. The gas spring could be damaged if you lift in the pad.



19. Paper-roll holder. Unscrew the ball. Press the rod to the left. Lift and pull to the right. Mount the paper roll on the metal rod and do in reverse order to finish and lock.



### III. Maintenance and cleaning

The treatment table is to be cleansed by using hot water and a light soap solution. When disinfecting, please use *Hydrogenated Castor Oil Water*, or similar.

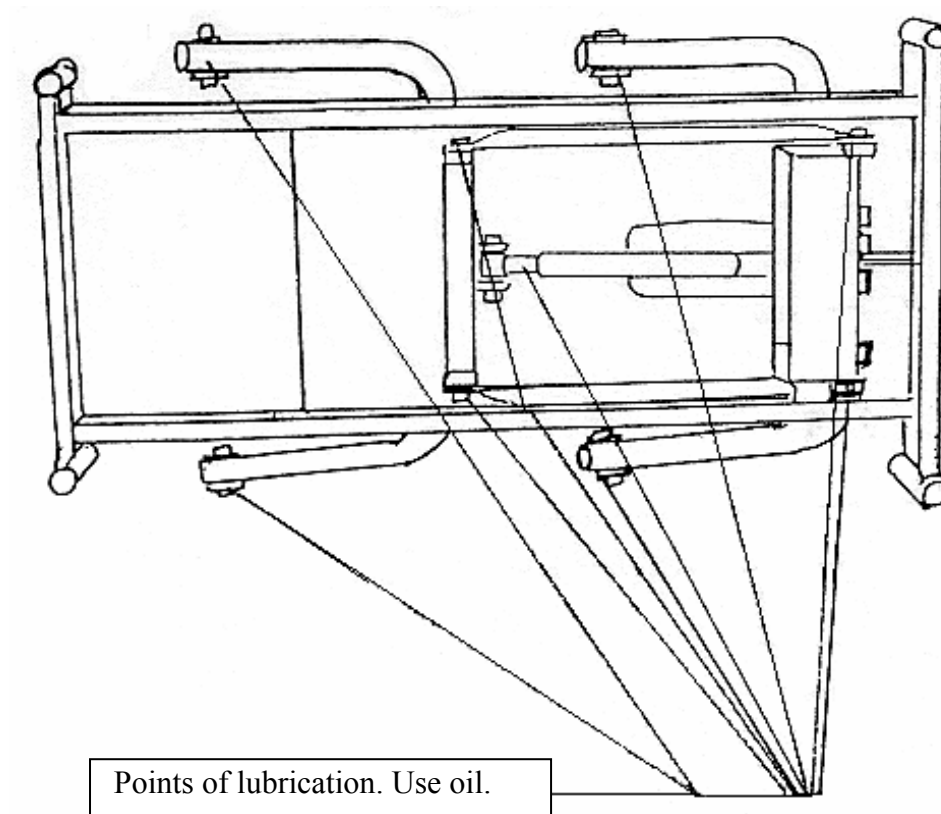
The treatment table is basically free from need of maintenance, but routine controls must be made to make sure that the table is fully functional.



Neglecting following routine control may give the couch a shorter life. Therefore, control all functions and details regularly.

Control following: castors and the locking device, the functions of the electric motor, and check for unusual sounds.

Lubricate according to schedule each sixth month.



## **IV. Description, technical documentation**

### **Models**

The couch is electrically adjustable.

### **Frame**

All-welded white epoxy coated. Electrically adjustable in height. Motor underneath hard plastic cover.

### **Lying frame**

All-welded white epoxy coated tubes.

### **Motor**

Linak LA31

### **Castors**

- A pair of small castors. Standard castors: 2 pcs. 50 mm.
- Four locking castors, 75 or 125 mm.
- Central locking castors: 125 mm.

### **Hydraul**

*Römheld* Nr 8921-500-406

### **Measure and weight**

#### **Measure**

Adjustable in height: 50-88 cm

Length: 200 cm

Width: 45-60 cm

#### **Weight**

60 kg

#### **Lifting capacity**

160 kg

## **V. Exchange of components**

## **Changing electric motor**



**NOTE!** Before changing motors our power supply, you **MUST** pull the cord from the wall socket.

## **Changing lifting motor LINAK LA31 (raising and lowering the couch).**



**NOTE!** When you change the motor, there is a risk that the couch falls to lowest position very fast. Therefore the couch must be lying down sidewise during change to avoid damage from crushing or pinching.

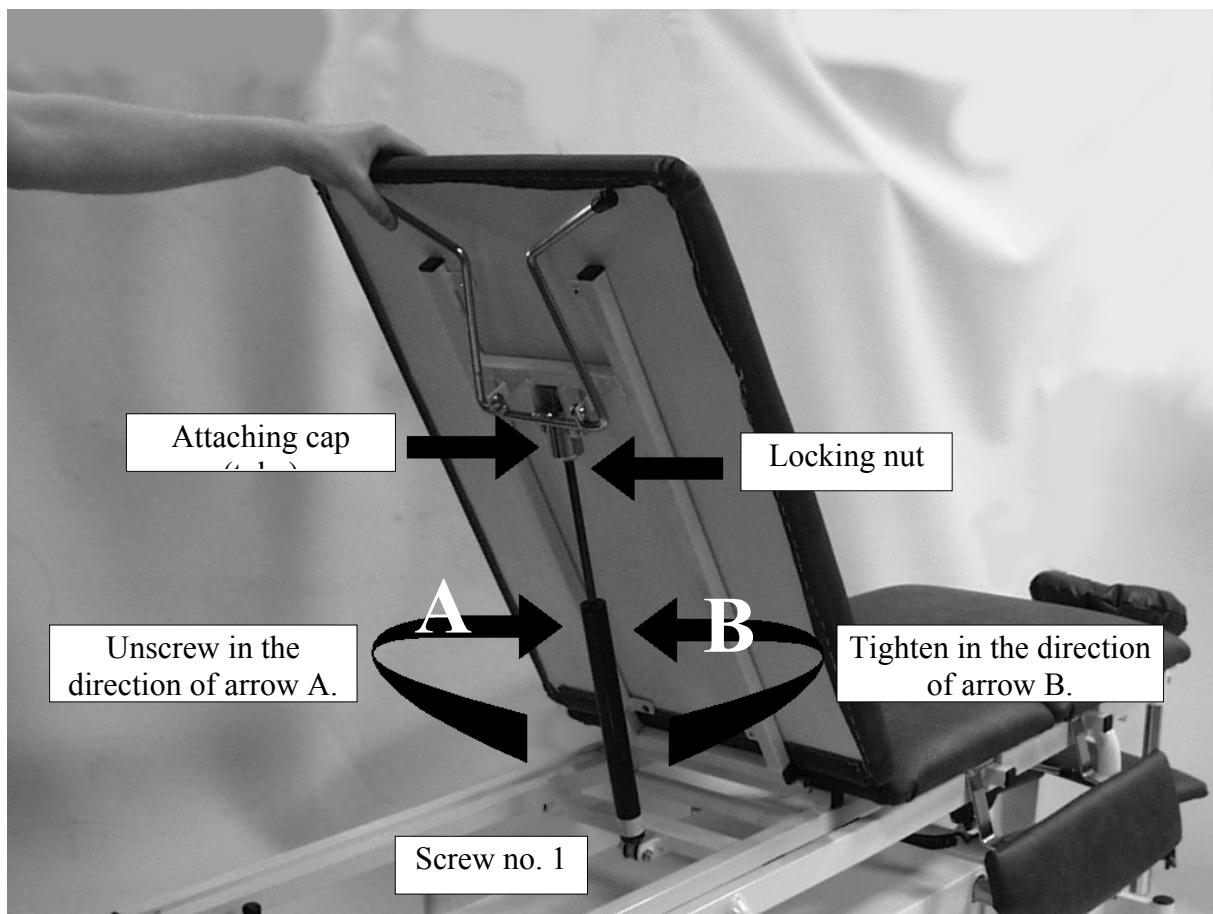
1. Place the couch on the side.
2. Unplug the banana plug from the power supply CB09.
3. Unscrew the M10 bolt.
4. Change the motor.
5. Mount in opposite order.

## **Changing the motor LINAK LA31 for drainage / traction**



**NOTE!** When you change the motor, there is a risk that the couch falls to lowest position very fast. Therefore the couch must be lying down sidewise during change to avoid damage from crushing or pinching.

1. Place the couch on the side.
2. Unplug the banana plug from the power supply CB09.
3. Unscrew the M10 bolt.
4. Change the motor.
5. Mount in opposite order.



### Exchanging the gas spring for the back rest



**Caution!** Note that the back rest / lying sheet will fall all the way down when the gas spring is removed. Have someone else holding the backrest or place the couch on its side.

- A) Loosen and remove screw no. 1
- B) Loosen the locking nut and twist the gas spring (the black part) left-wise and remove it from the tube.
- C) Mount the new gas spring into the attaching cap. Note that the gas spring must be fully tightened and locked with the locking nut for the handle to be able to maneuver the gas spring.
- D) Screw on screw no. 1.
- E) DONE!

 tarsus

Address  
Myrängsvägen 8  
89150 Örnsköldsvik, SWEDEN

Phone  
+46 660 842 51

Fax  
+46 660 180 00