



USER MANUAL



COMBI-GYN COMBINATION GYNAECOLOGY CHAIR - EXAMINATION TABLE

For models
015-2050, 016-2050

NOTE!

The operator must read the user manual carefully **BEFORE** the product is used, to avoid unnecessary risks to the patient and operator.

TABLE OF CONTENTS

Foreword, warranty, important information

1. Function Description

1.1 General description

2. Operation

2.1 Connection

2.2 When the patient is seated

2.3 Height adjustment

2.4 Adjusting the back support

2.5 Adjusting the seat section/Trendelenburg position

2.6 Replacing the paper-roll

2.7 The function of the castors

2.8 Patient handles

2.9 Leg supports

2.10 The function of the siderail and leg support handles

2.11 Colposcope attachment

2.12 Proctology/rectoscopy attachment, assembly and operation

3. Maintenance & Cleaning

3.1 Routine examinations

3.2 Cleaning

3.3 Lubrication scheme

3.4 Spare-part list

3.5 Accessories list

3.6 Solutions for lubrication, cleaning and disinfecting

4. Technical specification

4.1 Dimensions

4.2 Motors and controllers

4.3 Battery backup

4.4 Labels

5. EU-Declaration of Conformity

6. Contact details

FOREWORD

Welcome as the owner of a gynecology chair manufactured by Sjöbloms Medical Equipment AB. We hope that you will be pleased and satisfied with our quality product.

If a problem should arise with any of our products, you are always welcome to contact us, and our service department will assist you with the expertise needed to solve the problem.

The user manual that you have in your hand contains all the information needed to use, maintain and service the product. The document is continuously updated as the products are modified. Therefore we reserve against possible changes in the user manual.

WARRANTY

Sjöbloms provides a two-year warranty for material, design and manufacturing defects, provided the products are not subjected to tampering or excessive wear. For the guarantee to apply, the product must have been used in accordance with the user manual, and the maintenance performed as specified.

IMPORTANT INFORMATION

This product is intended for professional medical use. The user manual should be read carefully before using the product, to avoid unnecessary risks for the patient and operator.

The user manual contains warnings where there is a risk of personal injury, which should be noted. Improper handling can be fatal.

A warning triangle is shown where particularly important information can be found.



Warning triangle

1. FUNCTIONAL DESCRIPTION

This Combi-gyn is meant for professional use in health care, for examination of the patient.

It is designed to be a functional and user-friendly tool for the operator and patient.



Note that the product must only be used by competent health professionals who read the user manual, for correct handling.

General description

Combinated examination table and gynaecology chair with electrical control of height and Trendelenburg position/seat section. Chromed or white-coated chassis of all-welded steel tubes. The backrest is controlled with a gas spring or an electric motor. The cushions are stuffed with foamed plastic and upholstered with imitation leather.

The leg supports are available in two versions and are attached to the accessory rail that runs along the seat cushion, which may also be used to attach certain accessories.

125mm central-locking castors; various accessories such as neck pillows, patient handles etc. are also available.

2. OPERATION

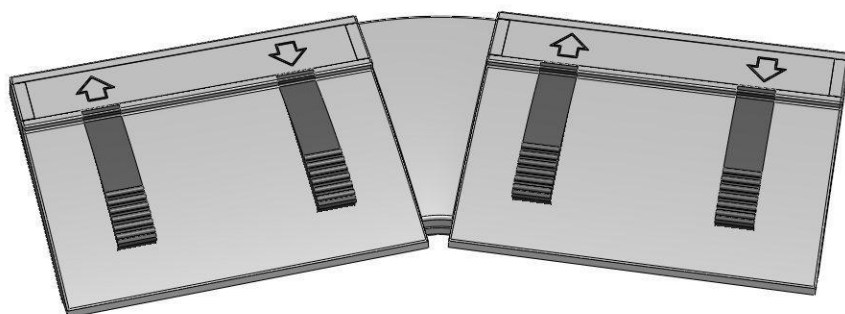
2.1 Connection of Combi-gyn

The plug should be connected to a grounded 230V outlet. The product is now ready for use.

2.2 Height adjustment

Foot control

(the foot control is standard)



Follow the arrows to adjust the couch up and down.

Hand control

(optional)

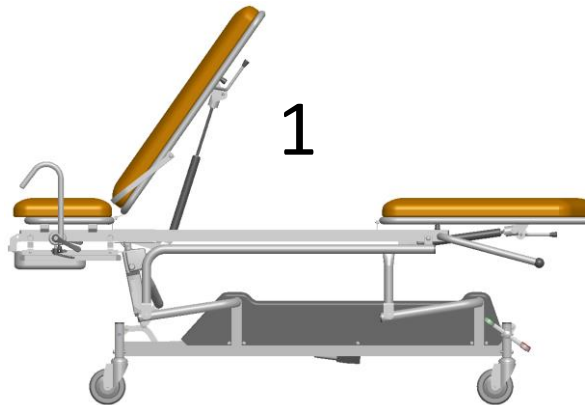


Note!

Ensure that no unauthorized persons are in the couch's working range, as a pinch hazard exists when raising and lowering the product.

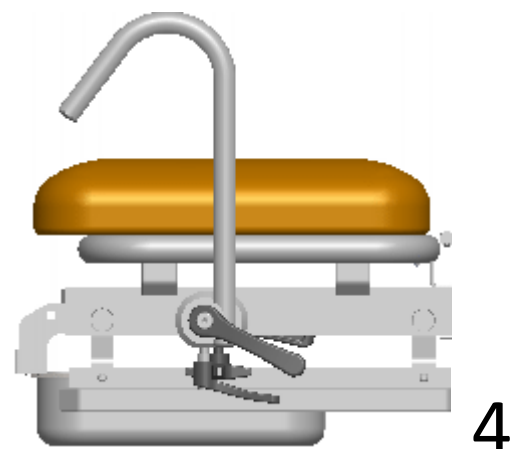
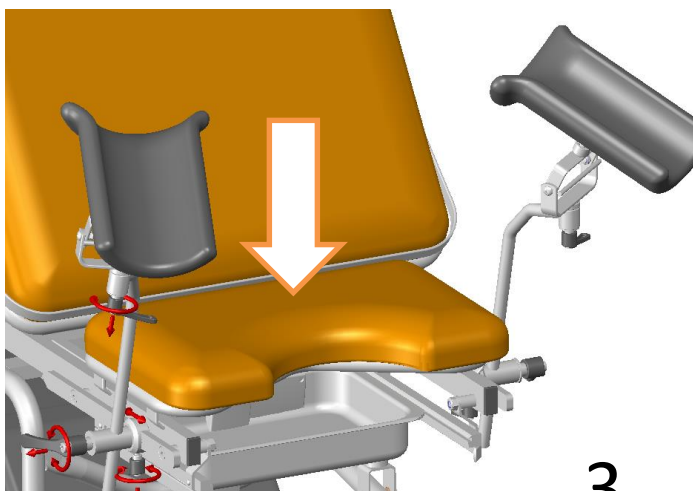
2.3 When the patient is seated

To maximize safety, it is important that the staff helps the patient be seated correctly and that the product is placed correctly while doing so.



Before examination:

1. Place the castors in the direction shown in the picture.
2. Lock the central lock by pressing down the arc. Always keep the wheels locked during the examination!
3. Lower the seat to its lowest position. Help the patient to sit down in the middle of the seat cushion AND lean against the back support before you raise the chair.
4. When the patient is getting up again, it is important to grip the patient handles (optional, figure 4) and not the leg supports. The leg supports are not designed for this purpose.



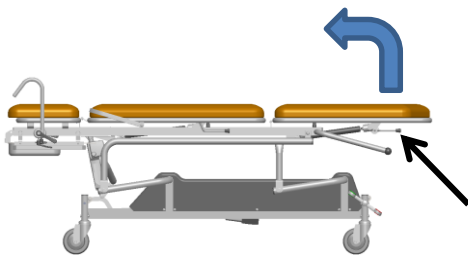
Use caution when examining slightly heavier patients. For maximum balance of the chair, be sure to follow steps 1-4 above.

2.4 Adjusting the backrest

Gas spring

Hydraulics/gas spring

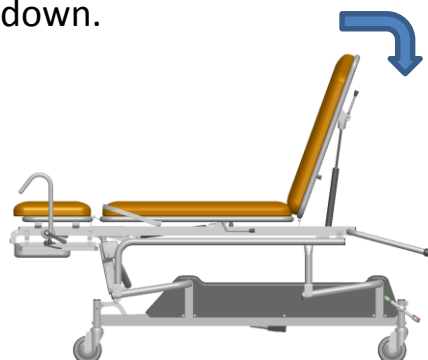
Grab at least one of the handles that are positioned on the side of the back rest.



Push the handle up and the gas spring helps to raise the back rest (variably adjustable).

Lowering the backrest

Push the handle in again and push the back rest down.



Note!

Ensure that no unauthorized persons are in the couch's working range, as a pinch hazard exists when raising and lowering the product.

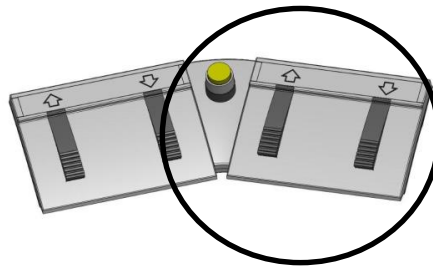
2.5 Adjusting the seat section/Trendelenburg position

Electric, hand control



Look at the symbols and follow the arrows to regulate the different.

Electric, foot control



The right pair regulates the back rest or the seat section/shock position.

Press the yellow button in the middle to switch between these functions.

The left pair adjusts the height of the gynecology chair.

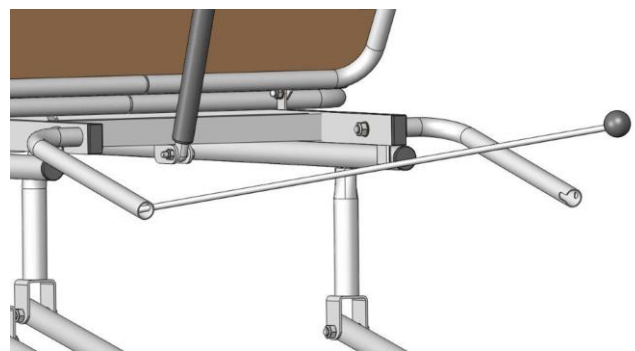


Note!

Ensure that no unauthorized persons are in the couch's working range, as a pinch hazard exists when raising and lowering the product.

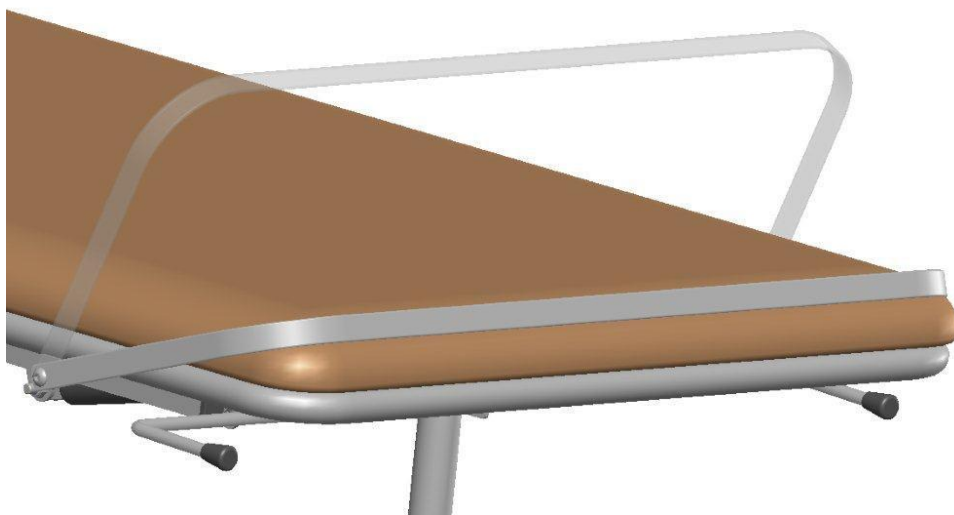
2.6 Replacing the paper-roll

- A. Unwind the black ball without fully removing it.
- B. Push the metal rod to the left.
- C. Pull the metal rod gently towards you, it will then detach from the right-hand side placement.
- D. Pull the rod fully from the left-hand side placement and place a new paper-roll on the holder.
- E. Mount the paper-roll holder in reverse order.
DONE!



Paper dispenser

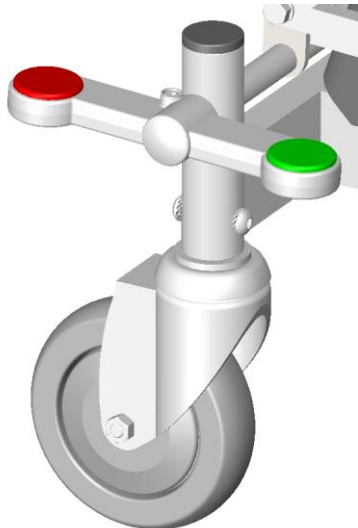
Pull out new paper from the paper-roll. Fasten the paper. Tear off the used paper. DONE!



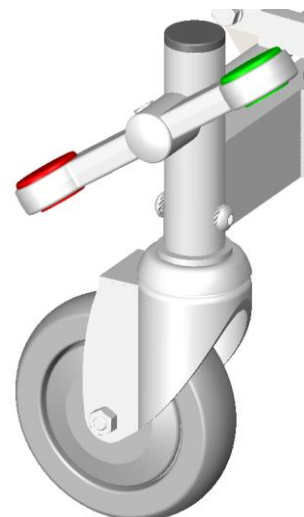
2.7 The function of the castors

The gynecology chair is equipped with central locking castors.

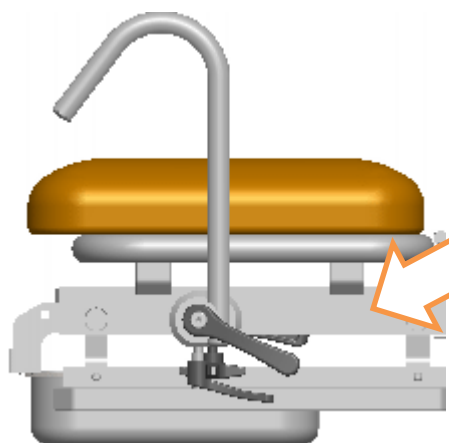
Free castors



Braked castors



2.8 Patient handles



The patient handles can be adjusted along the accessory rail (arrow), and also be completely removed from the rail when necessary.

2.9 Leg supports

Standard

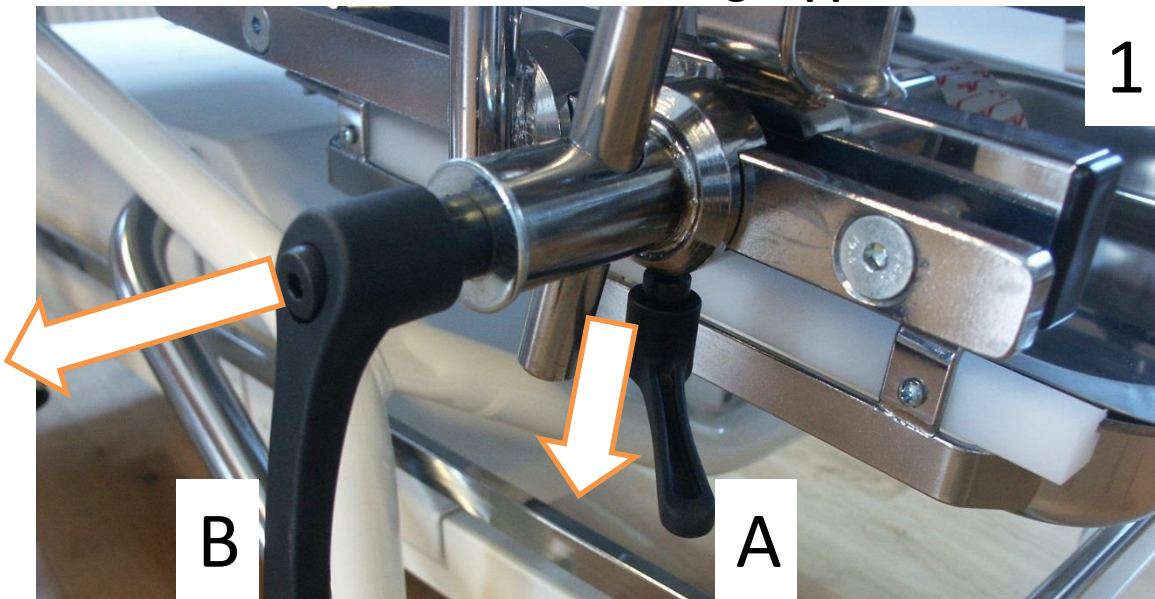


Integral



The Combi-Gyn is available with two different types of leg supports, Standard and Integral. Both models can be adjusted variably in all directions, up and down and forward and backward along the accessory rail.

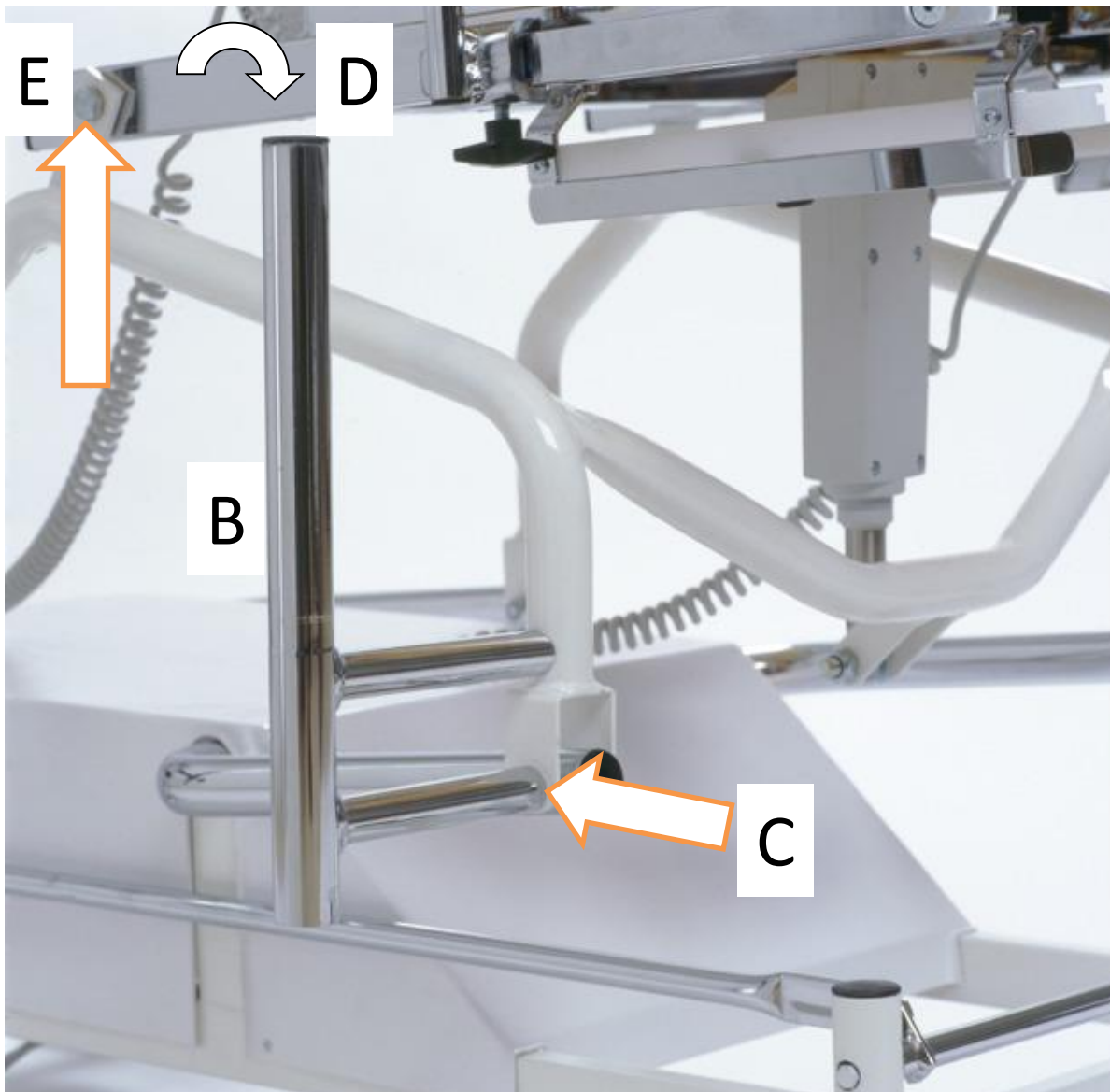
2.10 Function of the siderail and leg support handles



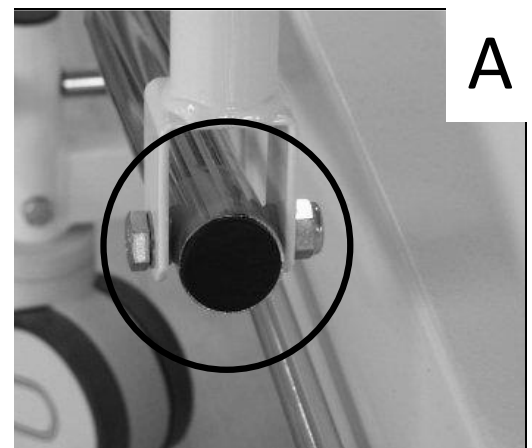
The handles are tightened clockwise and eased counterclockwise. If you have to turn more than once, but you can not gain access because of the frame being in the way etc. as the picture two, pull the handle down (applies to handle A) or towards yourself (applies to handle B), then the tension mode is opened and you can turn back the handle without the achieved tension being released. When you then release the handle, it returns to the operational mode, and you can "repeat" your hold.



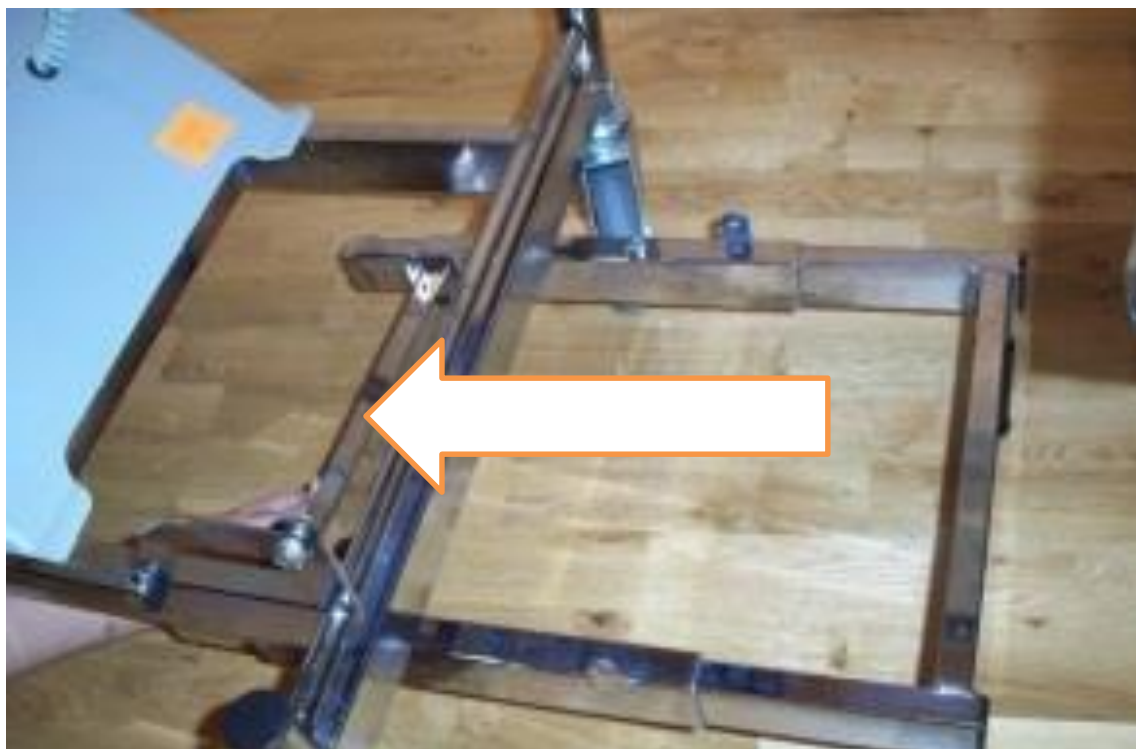
2.11 Colposcope attachment



1. Remove the bolt and nut from the lift arm joint (A).
2. Remove the bolt and nut that are located on the lower part of the colposcope (B).
3. Place the colposcope attachment fixed bolt through the lift arm joint and the supplied loose bolt in the top pre-drilled hole (C).
4. Tighten the bolt and nut. The bolt in the top hole should be very tight. The bottom nut should not be too tight, so that the joints are not too heavy to move.
5. Fit the colposcope on the attachment (B).
6. Insert the included top support in the tube end of the colposcope (D).
7. Tighten the top support with the bolt (E).



2.12 Proctologi/rerectoscopy attachment



Guide in the supplied support legs of the procto/recto attachment under the gynecology chair from the short side.

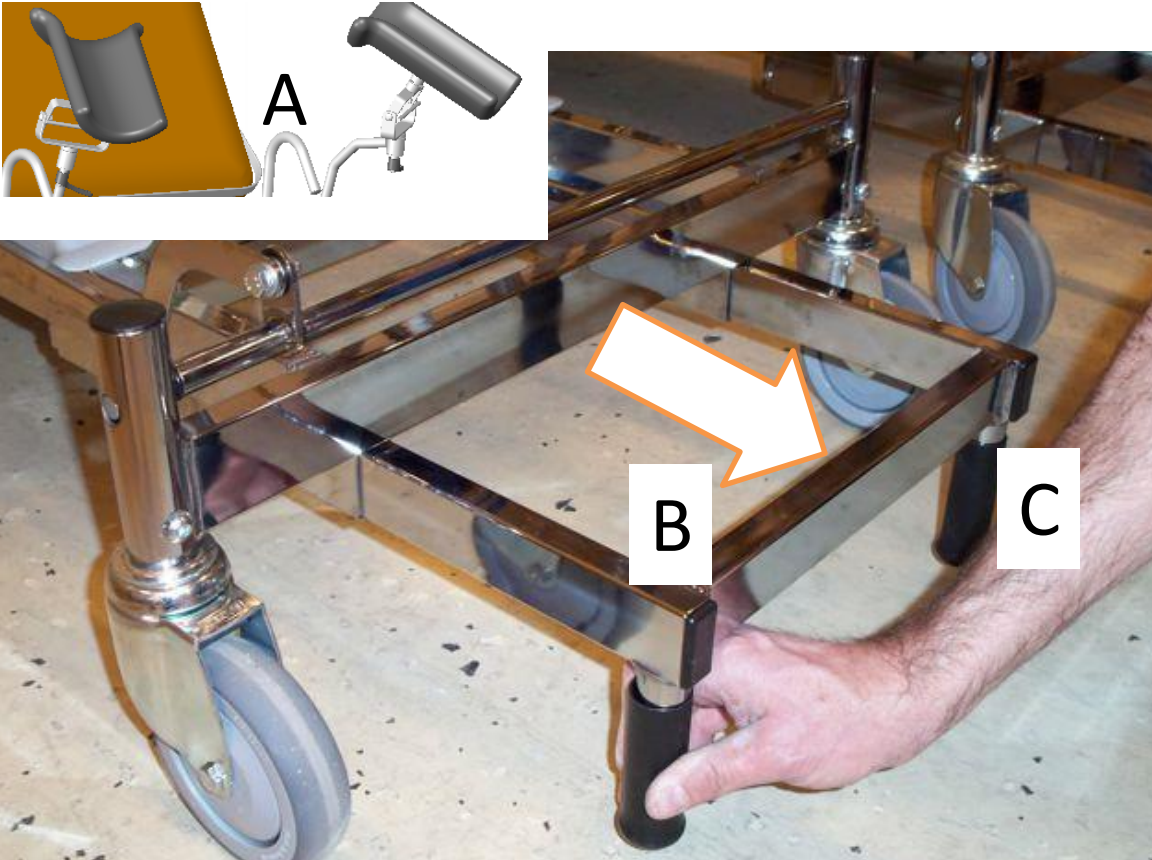
Get assistance from another person and turn the gynecology chair so that it rests on the side.

Attach using the enclosed screws.



Proctologi/rerectoscopy attachment

Maximum recommended patient weight: 120 kg.



- A. Lower the gynecology chair to its lowest position and remove the leg supports.
- B. Pull out the support legs.
- C. Adjust the feet so that **both** are resting solidly against the floor.
- D. For maximum stability the wheels should be directed as shown.



The attachment should look like this when it is fitted.



Guide in the square tube in the direction of the arrow.

The metal lock (see circle) automatically locks when you press in the procto/recto attachment. Only press the metal lock if necessary. Make sure that the attachment has been locked in the installed position.



The chrome plated patient handles can be adjusted along the accessory rail. Place them so that the pillow end up close to the seat edge.

Place pillows on each patient handle as shown in the figure.



3. MAINTENANCE AND CLEANING

3.1 Routine check-ups

Routine inspections should be made to ensure proper functionality.



Important!

Failure to perform the following routine can cause the patient and/or operator to be exposed to unnecessary risks and the couch may have a reduced life expectancy. Please check all functions and parts on a regular basis.

Check the following:

- Any unusual sounds.
- Gas spring functions.
- Castors and castor locking mechanisms.
- Any damage to electrical cables.
- Motor functions.
- That joints and fittings are lubricated according to the lubrication chart.

3.2 Cleaning

Cleaning of imitation leather

During normal cleaning, warm water and a mild soap solution should be used, or our own “Cleaning solution for artificial leather”, **art no. R-1**. Stronger cleaning agents should be avoided whenever possible.

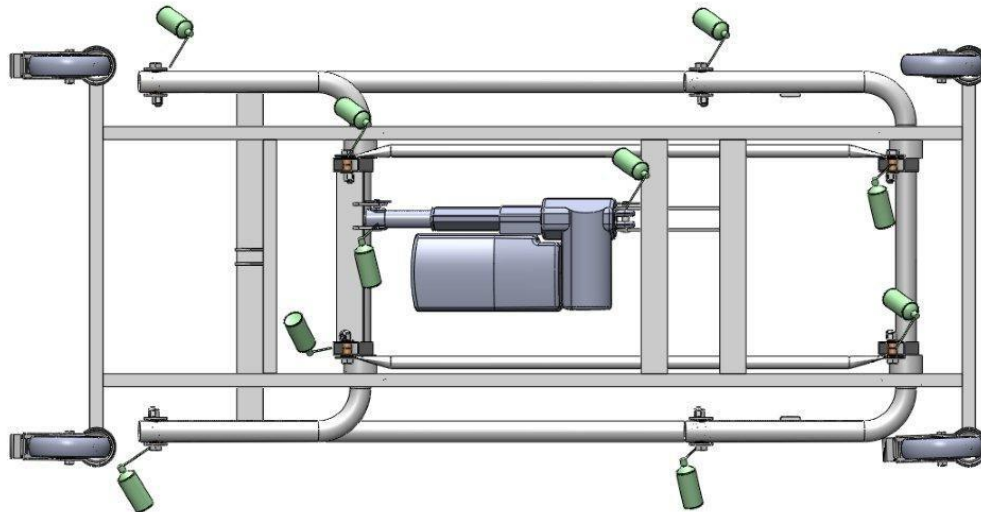
If it nonetheless becomes necessary to use stronger agents, it is important to wipe with a damp cloth.

Disinfection


If the product needs to be disinfected, use a diluted alcohol solution or our own “DAX Ytdesinfektion”, **art no. C068**. Too strong an alcohol solution can have a drying effect, which means that the imitation leather's properties deteriorate and cracks can form.

3.3 Lubrication scheme

Lubrication according to the schedule should be performed every 6 months or as needed.

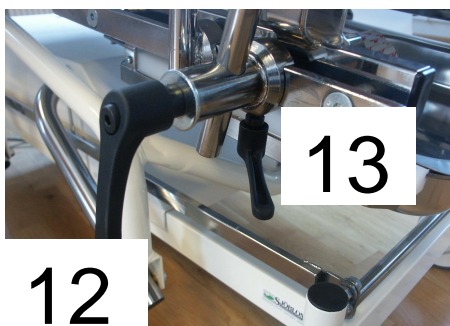
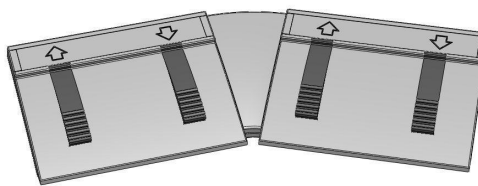
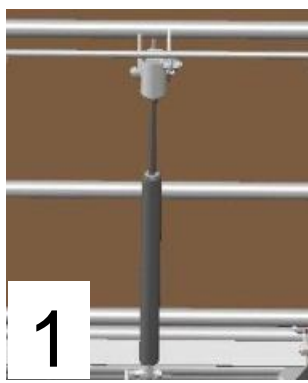


1. First lock the wheels.
2. Enlist the help of another person and tip the couch on the side, in order to lubricate the following joints.

The spray can  in the pictures above indicates where to lubricate. You should use **”Smörjolja för Sjöbloms/Tarsus medicinska möbler”** or the equivalent for best results, article no. 5557001.

3.4 Spare-part list Combi-Gyn

No.	Item no.	Description
1	G0001	Gas spring for back support
2	DET015-007CR	Paper-roll holder
3	125321630T2LPZ	Castor standard
4	125321630T3LPZ	Castor directional locking
5	343100+0015004A	Lift Motor Linak
6	312100+1110004C	Backrest motor Linak
7	312100+1110004C	Trendelenburg motor Linak
8	FS2001	Foot control two motors, Linak
9	FS3001	Foot control three motors, Linak
10	HB824500004+11	Hand control two motors, Linak
11	HB834500003+11	Hand control three motors, Linak
12	WN55 S95-M12x25	Locking handles, large
13	WN55 S65-M8X16	Locking handles, small
14	DY-300-color	Pads leg supports



3.5 Accessories



Neck cushion



Patient handles



White-coated chassis



Proctology/rectoscopy attachment

3.6 Solutions for lubrication, cleaning and disinfecting

R-1, Cleaning solution for artificial leather

5557001, Lubrication

C068, Disinfection solution, DAX Plus



Cleaning solution



Lubrication



Disinfection

4. TECHNICAL SPECIFICATION

4.1 Dimensions

Length 200 cm

Length backrest 1, 75 cm

Length backrest 2 (gyn position backrest), 85 cm

Width 70 cm

Width seat 55 cm (pad 53 cm)

Weight 88 kg (without patient handles)

Height 57-95 cm. Max height when seat up-tilted 110 cm.

Max load 165 kg

Angle backrest 1, 70°

Angle backrest 2 (gyn position backrest), 53°

Angle Trendelenburg -7°

4.3 Motors and controllers

The motors comply with EMC directives in accordance with standard EN 60601-1-2.

At full load, the motors can be used a maximum of 6 minutes/hour. The actuator manufacturer guarantees at least 10 000 cycles performance.

Controllers

Max. usage time 10% or 6 min/h at continuous operation. Complies with directives in accordance with standard EN 60601-1.

4.3 Battery backup

(optional)

General

The batteries used in the control unit are sealed lead batteries.

The included power cord should be plugged into an electrical outlet with 230 volts. The charger will recharge the battery in less than 12 hours. The charger can safely be connected for charging for extended periods.

If a battery is not used for a long time, it will gradually lose its stored energy. It is therefore recommended that the batteries are recharged at least 8 hours before usage.

Battery life

Battery life depends on several factors including the extent of discharging. If the battery is discharged too extensively between charges the lifespan will be reduced. Charging as often as possible is recommended.

The built-in buzzer "Charge the battery" that is built into the controller will sound when a discharge of 50% has occurred.

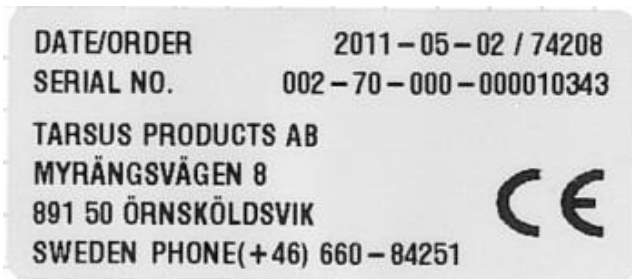
The life expectancy of the batteries is about 500-1200 charge cycles.

NOTE!



When the battery is depleted, the battery should be brought to a battery collection, to conserve the environment.

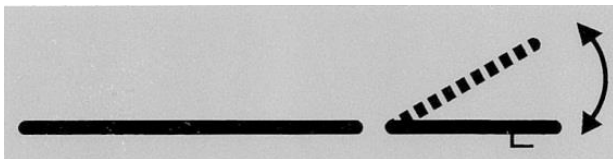
4.5 Labels on the products



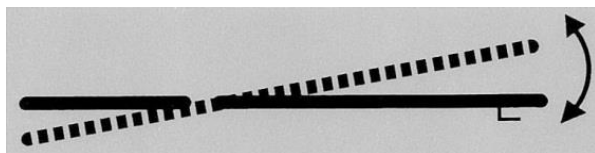
The CE label contains the date, order number, serial number and our contact information.



160 kg loading capacity.



Displays the adjustment of the back rest. There is a label on each side of the chair.



Displays the adjustment of the seat section/Trendelenburg position. There is a label on each side of the chair.

5. EU-Declaration of Conformity

EU DECLARATION OF CONFORMITY

according to MDD 2007/42/EC including Appendix
and according to CE-marking Directive 93/68/EEC

Type of equipment: Gynaecology and examination table

Trademark: Tarsus

Model: 015-2050 Product registration number: 13958

Model: 016-2050 Product registration number: 16437

Manufacturer

Sjöbloms Medical Equipment AB

Myrängsvägen 8

S-891 50 ÖRNSKÖLDSVIK, SWEDEN

Sjöbloms Sjukvårdsutrustning AB ensures that the above products are in accordance with the EU Council MDD 93/42/EEC, as well as the Swedish legislation in force (1993:584) on medical devices and the regulations issued by Medical Products Agency (LVFS 2003:11).

Örnsköldsvik 2015-08-21



Karl-Gunnar Sjöblom

Production Manager

6. CONTACT DETAILS

TARSUS

Myrängsvägen 8

891 50 Örnsköldsvik

Sweden

Tel: +46 660 105 80

Fax: +46 660 180 00

E-mail: info@tarsus.se

Web page: www.tarsus.eu