



USER MANUAL



TWO-SECTIONED EXAMINATION TABLE

For models

010-8040, 010-8041, 010-8050, 010-8051, 010-8551

011-8040, 011-8041, 011-8050, 011-8051, 011-8551

NOTE!

The operator must read the user manual carefully BEFORE the product is used, to avoid unnecessary risks to the patient and operator.

TABLE OF CONTENTS

Foreword

Warranty

Important information

1. Function Description

1.1 General description

2. Operation

2.1 Connection

2.2 Height adjustment

2.3 Adjusting the backrest

2.4 Adjusting the Trendelenburg position

2.5 Replacing the paper roll

2.6 Paper dispenser

2.7 The function of the castors

2.8 Side rails

2.9 IV stand

3. Maintenance & Cleaning

3.1 Routine check-ups

3.2 Cleaning

3.3 Lubrication scheme

3.4 Spare parts, hydraulic

3.5 Spare parts, electric

3.6 Accessories

3.7 Solutions for lubrication, cleaning and disinfecting

4. Technical specification

4.1 Dimensions

4.2 Motors and control units

4.3 Battery backup

4.4 Labels

5. EU-Declaration of Conformity

6. Contact details

FOREWORD

Welcome as the owner of a product manufactured for Tarsus by Sjöbloms Sjukvårdsutrustning AB. We hope that you will be pleased and satisfied with our quality product.

If a problem should arise with this or any of our products, you are always welcome to contact us, and our service department will assist you with the expertise needed to solve the problem.

The user manual contains all the information needed to use, maintain and service the product. The document is continuously updated as the products are modified. Therefore we reserve against possible changes in the user manual.

WARRANTY

Sjöbloms provides a two-year warranty for material, design and manufacturing defects, provided the products are not subjected to tampering or excessive wear. For the guarantee to apply, the product must have been used in accordance with the user manual, and the maintenance performed as specified.

IMPORTANT INFORMATION

This product is intended for professional medical use. The user manual should be read carefully before using the product, to avoid unnecessary risks for the patient and operator.

The user manual contains warnings where there is a risk of personal injury, which should be noted. Improper handling can be fatal.

A warning triangle is shown where particularly important information can be found.



Warning triangle

1. FUNCTIONAL DESCRIPTION

This product is meant for professional use in health care, for examination of the patient.

It is designed to be a functional and user-friendly tool for the operator and patient.



Note that the product must only be used by competent health professionals who read the user manual, for correct handling.

General description

2-sectioned examination table, electrically or hydraulically adjustable, chromium-plated or coated all-welded steel tube chassis. Backrest and Trendelenburg adjusted by gas spring. The cushions are stuffed with foamed plastic and upholstered with imitation leather.

125mm swivel castors, two lockable, one directional locking. Various accessories such as neck pillow, IV stand etc. are also available.

2. OPERATION

2.1 Connection

The plug should be connected to a grounded 230V outlet. The product is now ready for use.

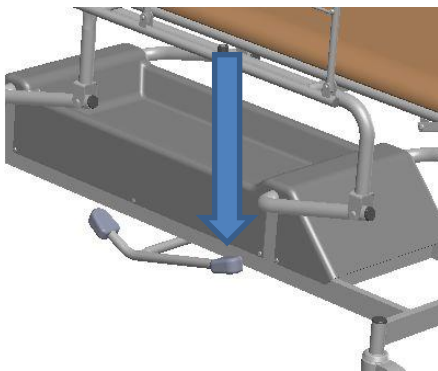
2.2 Height adjustment

Motors from both the manufacturers we purchase from, is shown below.

Hydraulic

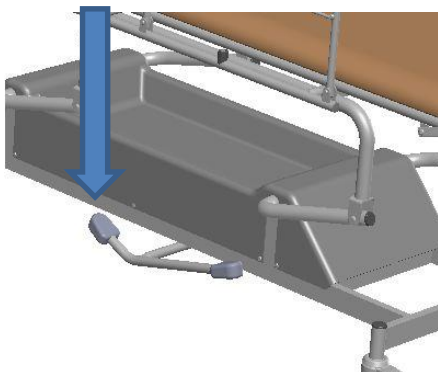
To raise the product

Pump the longer part of the pedal to raise the chassis to the desired height.

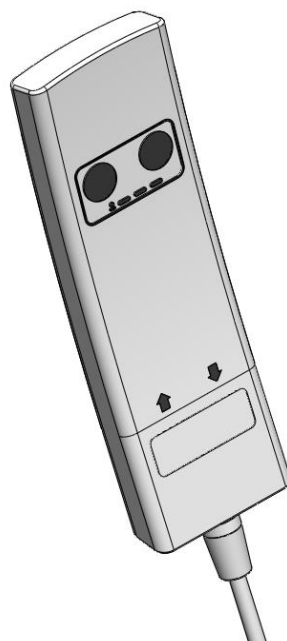


To lower the product

Press the shorter part of the pedal to lower the chassis to a desired height.



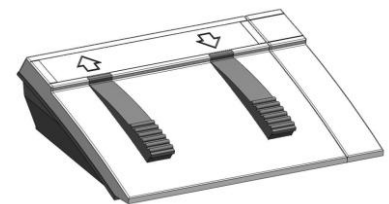
Electric, hand control (standard)



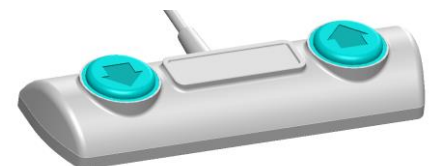
Follow the symbols and arrows to regulate the couch.



Electric, foot control (option)



Follow the symbols and arrows to regulate the couch.



NOTE!

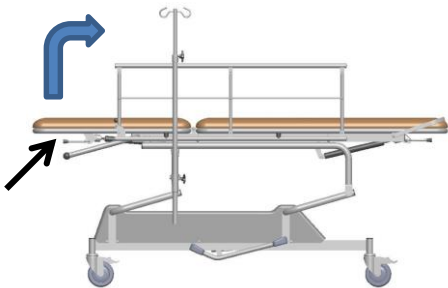
Ensure that no unauthorized persons are in the couch's working range, as a pinch hazard exists when raising and lowering the product.

2.3 Adjusting the backrest

Gas spring

Raising the backrest

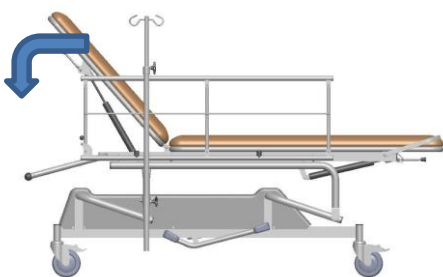
Press at least one of the handles positioned on the side of the backrest.



The gas spring helps to raise the backrest (variably adjustable).

Lowering the backrest

Press the handle again while pushing down the backrest.



NOTE!

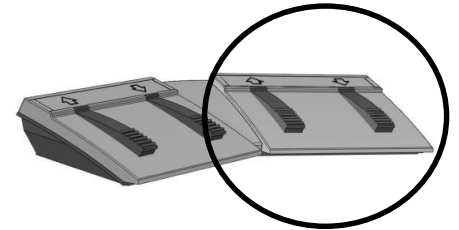
Ensure that no unauthorized persons are in the couch's working range, as a pinch hazard exists when raising and lowering the product.

Electric, hand control



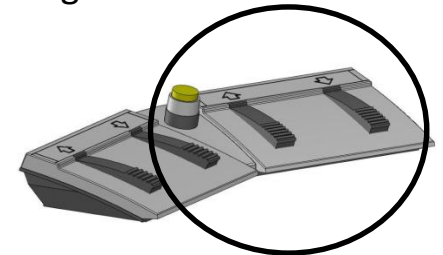
Follow the symbols and arrows to regulate the couch.

Electric, foot control



For exam table with two motors: The right pair regulates the backrest.

The left pair regulates the height of the table.



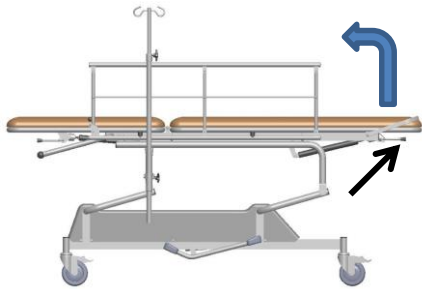
For exam table with three motors: The right pair regulates the backrest and/or the Trendelenburg position. Press the middle switch to change between the two functions.

The left pair regulates the height of the table.

2.4 Adjusting the Trendelenburg position

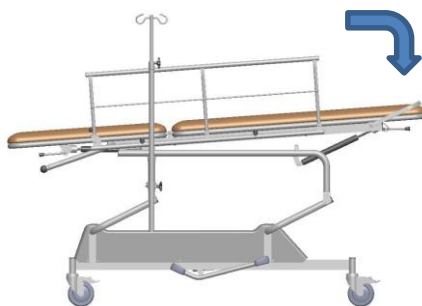
Gas spring

To raise the Trendelenburg position, stand at the foot-end side of the table. Press one of, or both, the handles.



The gas spring helps adjust the tables' Trendelenburg function.

To lower the Trendelenburg position, press the handle again while pressing down the table top.

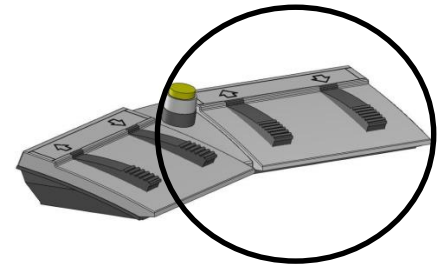


Electric, hand control (standard)



Follow the symbols and arrows to regulate the couch.

Electric, foot control (optional)



The right pair regulates the backrest and/or the Trendelenburg position. Press the middle switch to change between the two functions.

The left pair regulates the height of the table.

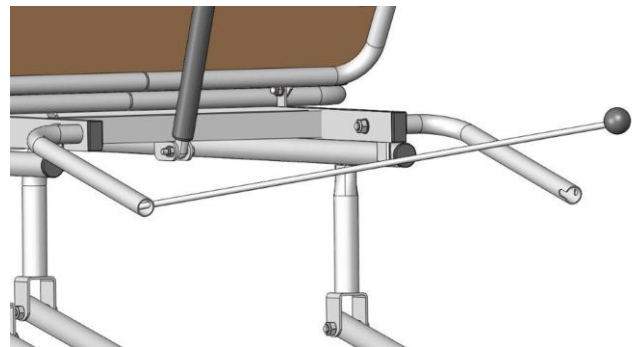


NOTE!

Ensure that no unauthorized persons are in the couch's working range, as a pinch hazard exists when raising and lowering the product.

2.5 Replacing the paper roll

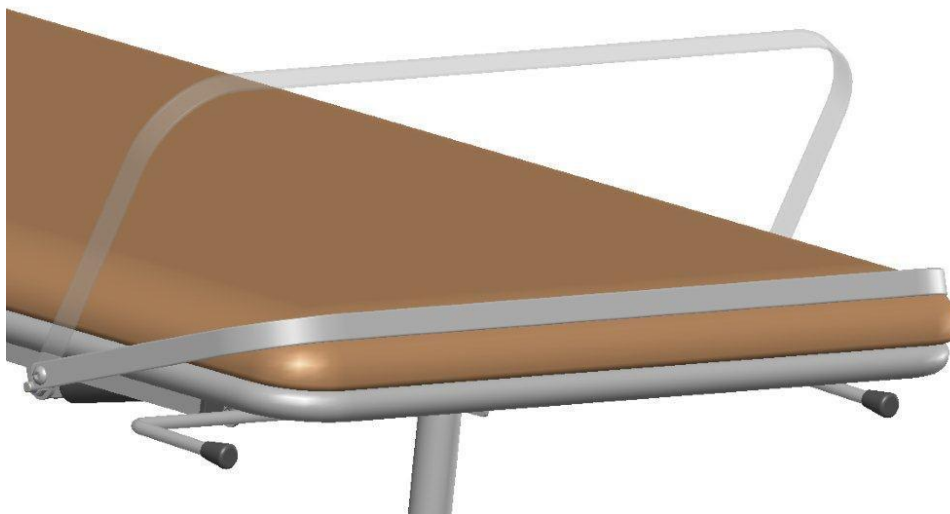
- a) Unscrew the black ball.
- b) Push the metal rod to the left.
- c) Pull the rod gently towards you until it comes loose on the right side.
- d) Pull the rod gently to the right. The rod is now loose and you can put on a new paper roll.
- e) Put the rod back on the left side.
- f) Put the rod back on the right side, in the score.
- g) Push the rod to the right.
- h) Screw the ball tight again.



2.6 Paper dispenser

Flip the tear-off edge open and pull out new paper. Cover the table with the paper.

Fix the paper into place by pressing down the tear-off edge. Tear off the old paper on the tear-off edge, and the table is ready to be used again.



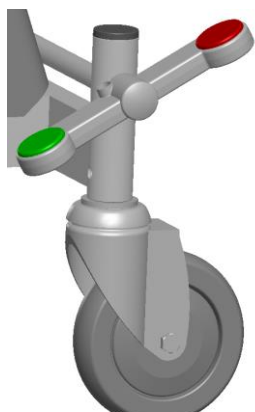
2.7 The function of the castors

The product is equipped with either central locking castors or separately locking castors.

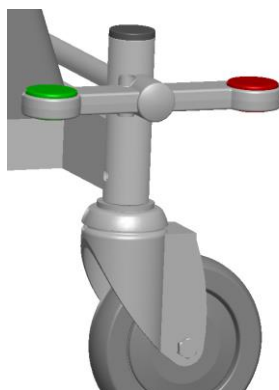
Both versions include a directional-locking function, which helps transporting the chassis straight in long corridors.

Central locking castors

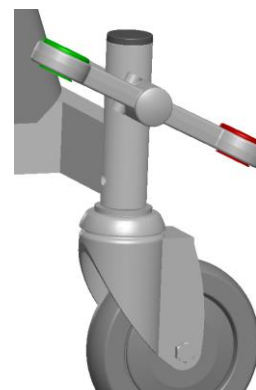
Directional locking mode



Free castors



Braked mode

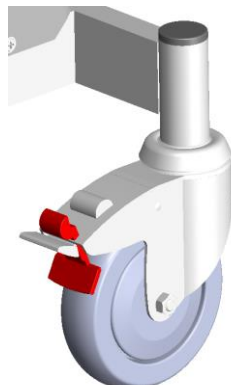


Separately locking castors

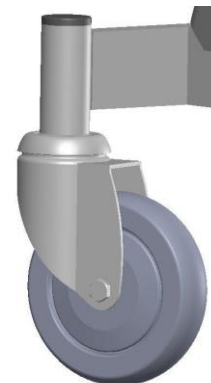
Unbraked mode



Braked mode



Free castors



Central locking castor

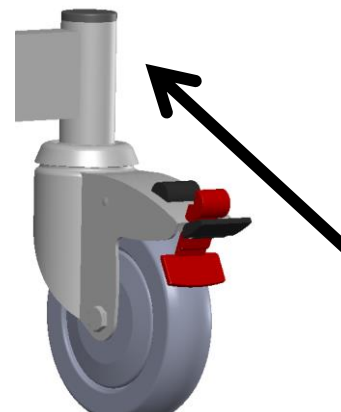
Free mode



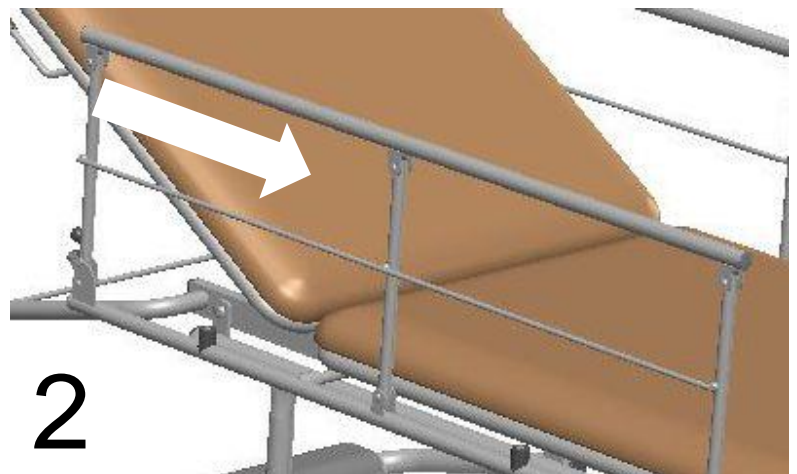
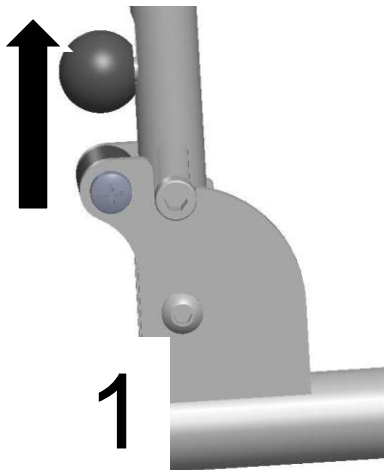
When the directional lock is activated, it is important to have the castor locked as shown to the right (the arrow shows a forward transportation direction).

Wrongly positioned, the exam table transportation will feel wobbly.

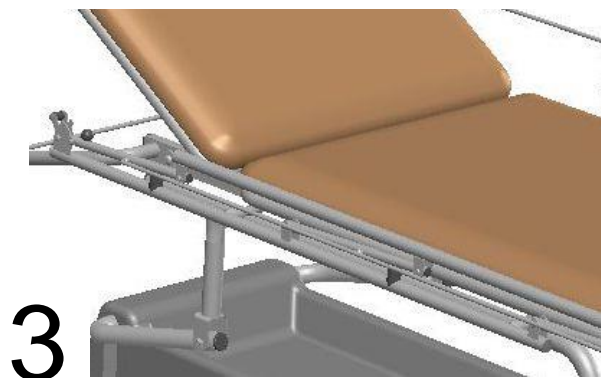
Locked mode



2.8 Side rails

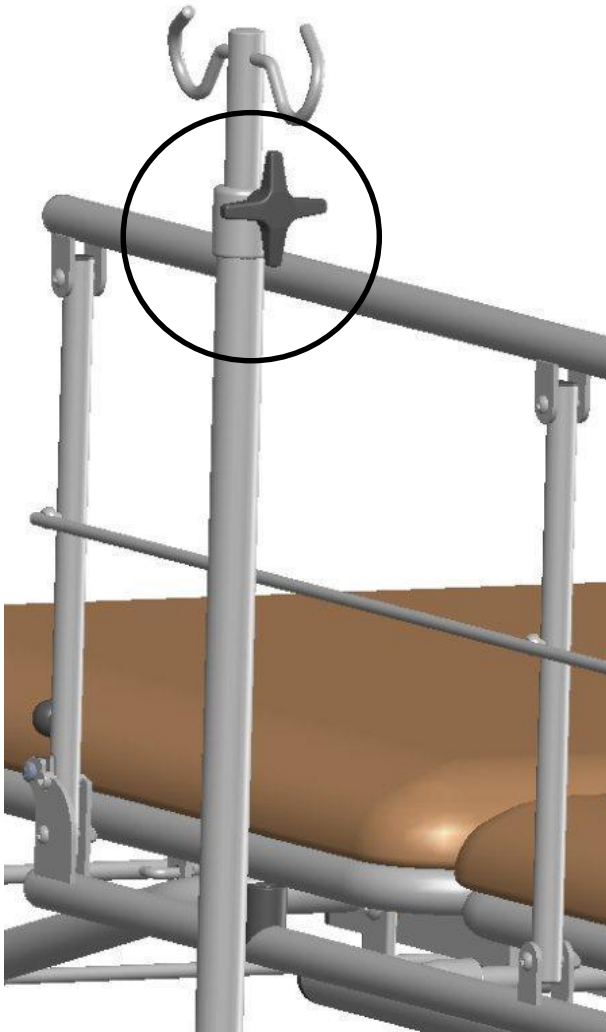


1. Lift the black ball.
2. Fold the siderails using the other hand in the direction of the arrow.
3. Done!
4. When raising the siderails, make sure its mechanic clicks into position indicating it is fully raised.

**NOTE!**

Pinch hazard exists when raising and lowering the side rails.

2.9 IV stand



The IV stand may be adjusted in height.

Lock/open the knob to adjust the height.

3. MAINTENANCE & CLEANING

3.1 Routine check-ups

Routine check-ups should be made to ensure proper functionality.



Important!

Failure to perform the following routine can cause the patient and/or operator to be exposed to unnecessary risks and the couch may have a reduced life expectancy. Please check all functions and parts on a regular basis.

Check the following:

- Any unusual sounds.
- Gas spring functions.
- Castors and castor locking mechanism.
- On electric tables:
 - Damages to electric cables.
 - The motor functions.
- That joints and fittings are lubricated according to the lubrication chart.

3.2 Cleaning

Cleaning of imitation leather

The examination table is very easy to clean. During normal cleaning, warm water and a mild soap solution should be used, or our own “Cleaning solution for artificial leather”, **art no. R-1**. Stronger cleaning agents should be avoided whenever possible. If it nonetheless becomes necessary to use stronger agents, it is important to wipe with a damp cloth.

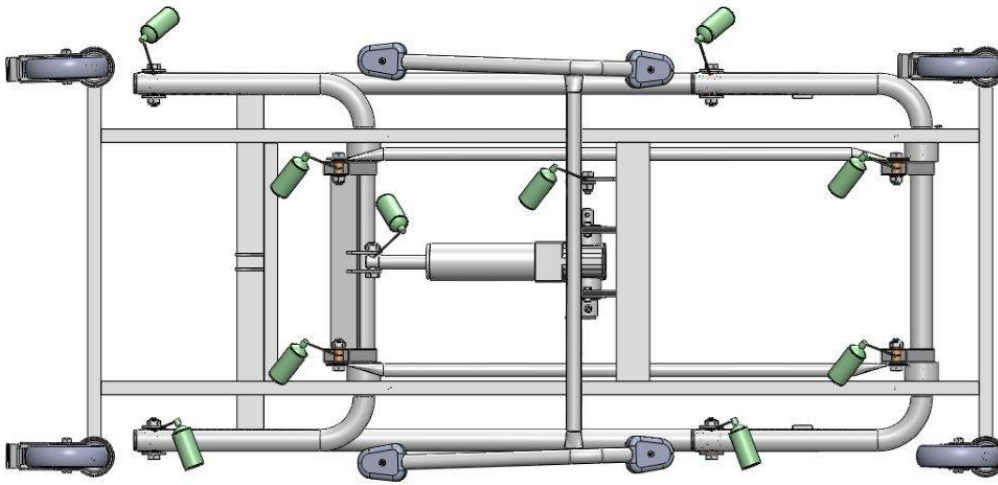
Disinfection

The product could be disinfected by general hospital-used solutions.

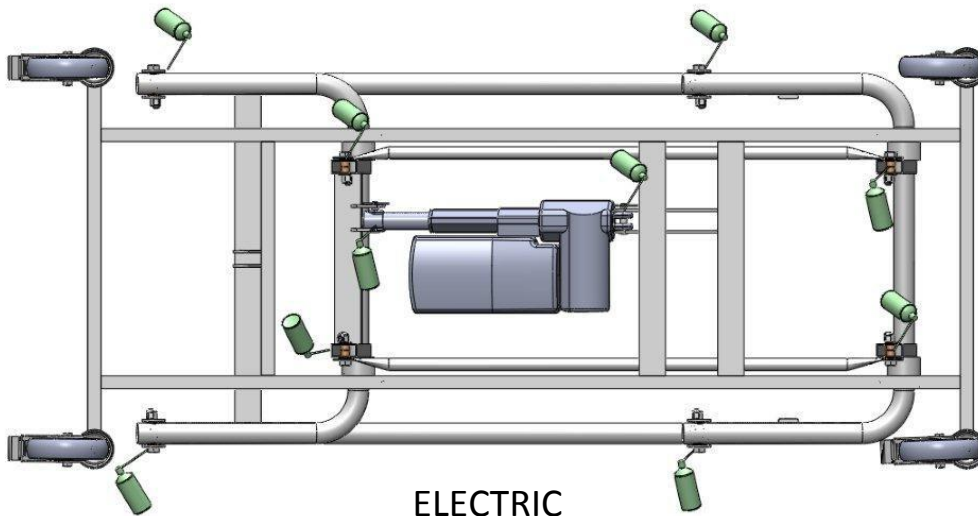
Note that a too strong alcohol solution can have a drying effect, which means that the imitation leather's properties deteriorate and cracks can form.

3.3 Lubrication

Lubrication according to the scheme should be performed every 6 months or as needed.



HYDRAULIC

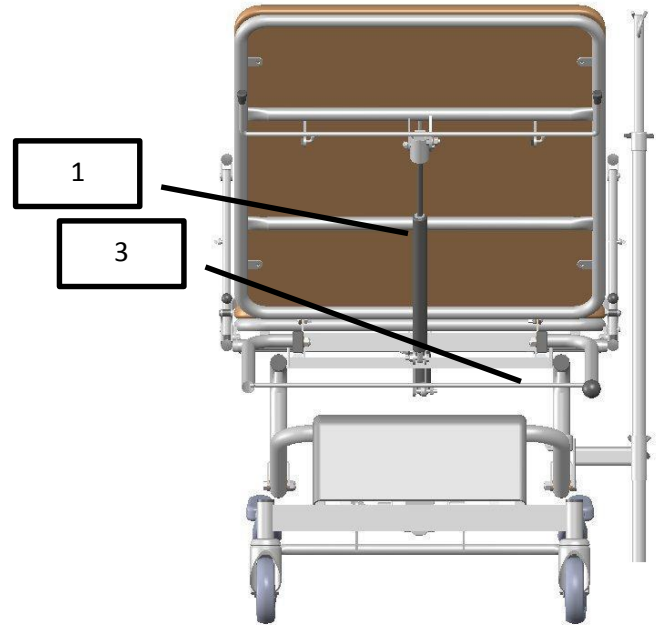


ELECTRIC

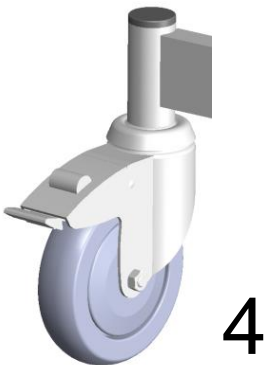
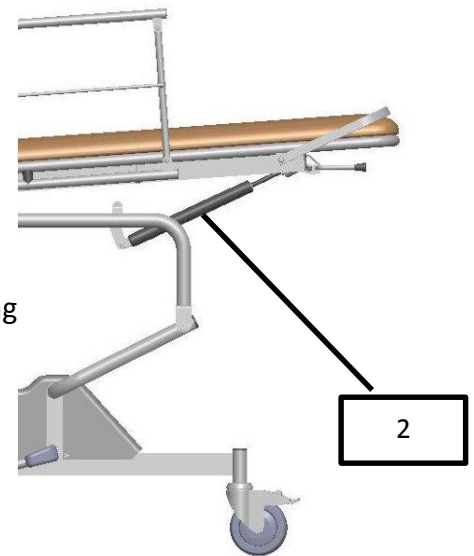
1. First lock the castors.
2. Enlist the help of another person and tip the couch on the side, in order to lubricate the moving joints.

The spray can in the pictures above indicates where to lubricate. Use the Tarsus lubrication oil or the equivalent for best results, **article no. 5557001**.

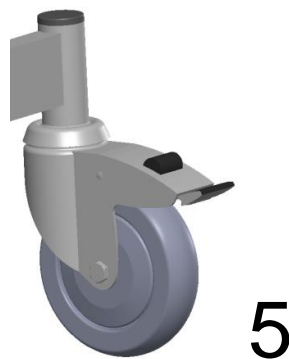
3.4 Spare parts, hydraulic



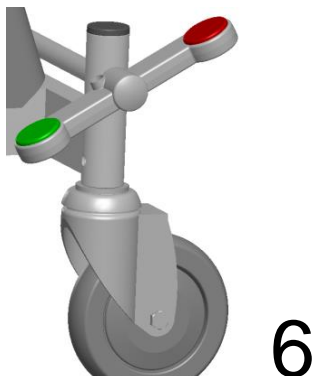
No.	Art no	Article
1-2	G0001	Gas spring
3	010-8540	Paper roll holder including ball
4	12532142120LPZ	Castor, standard
4a	12532142122LPZ	Castor, braked
5	12532142123LPZ	Castor, directional locked
6	125321630T2LPZ	Castor, central-locking
6a	125321630T3LPZ	Castor, central-locking, directional-locking
7	125321630T2LPV	White castor, central-locking
7a	125321630T3LPV	White castor, central-locking, directional-locking
8	HY001	Hydraulic pump



4



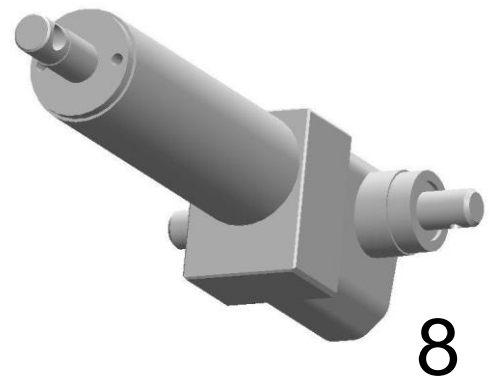
5



6

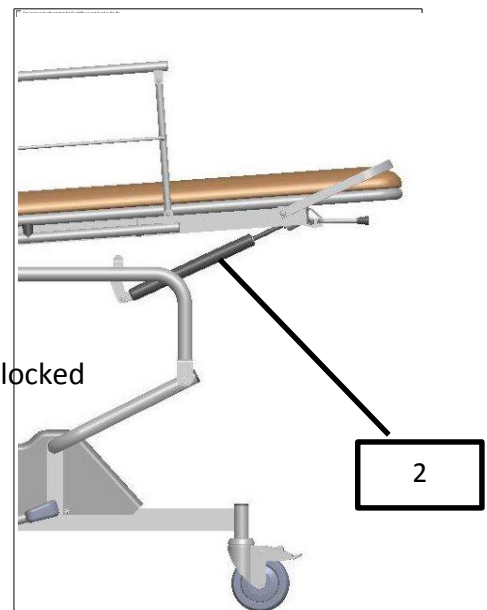
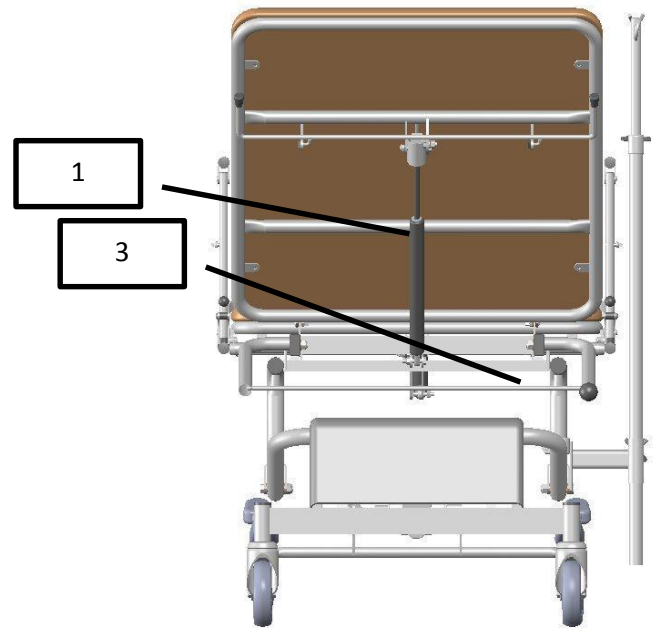


7

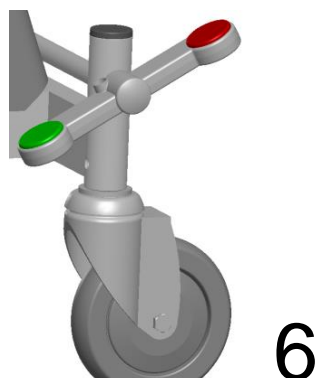
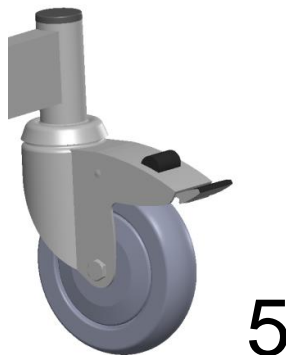
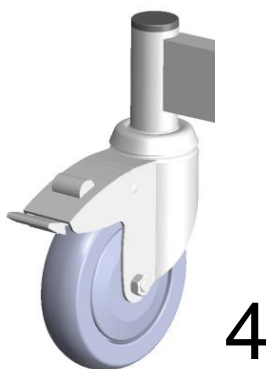


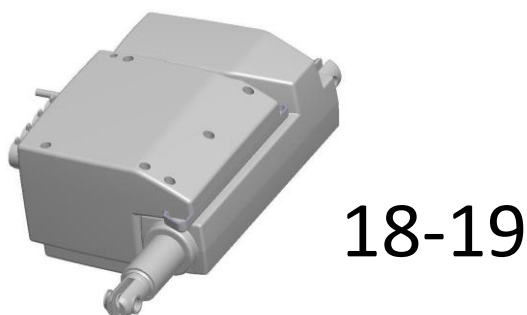
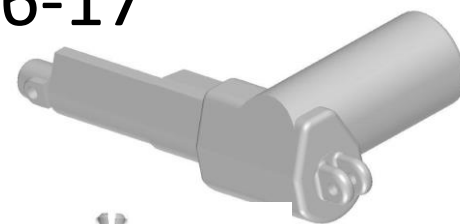
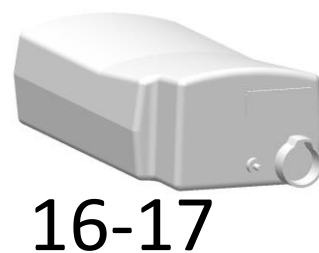
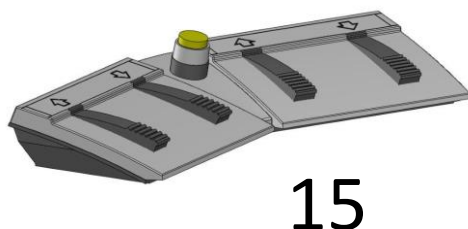
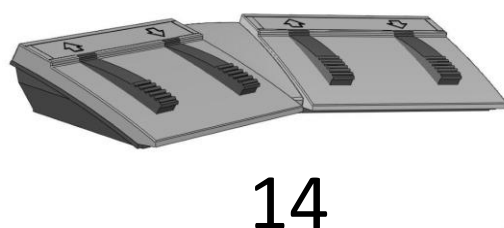
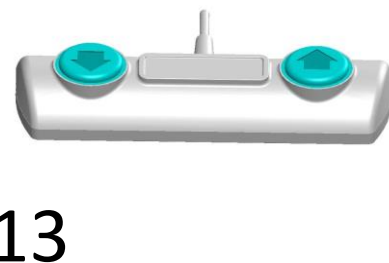
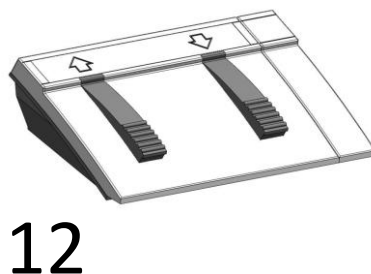
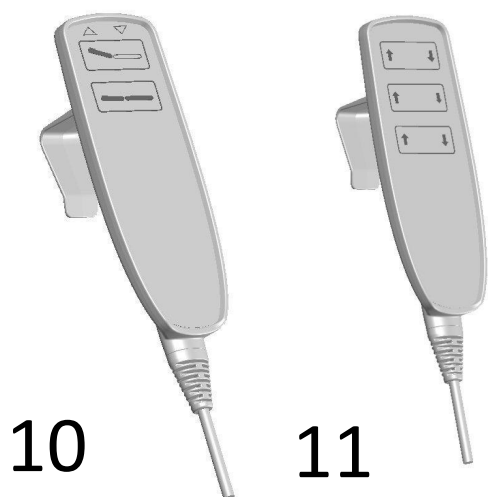
8

3.5 Spare parts, electric



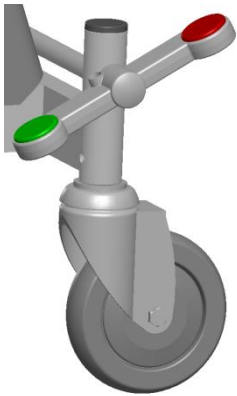
No.	Art no	Article
1-2	G0001	Gas spring
3	010-8540	Paper roll holder including ball
4	12532142120LPZ	Castor, standard
4a	12532142122LPZ	Castor, braked
5	12532142123LPZ	Castor, directional locked
6	125321630T2LPZ	Castor, central locked
6a	125321630T3LPZ	Castor, central locked, directional locked
7	125321630T2LPV	White castor, central locked
7a	125321630T3LPV	White castor, central locked, directional locked
9	HB814500001+01	Hand control, one motor, Linak





No.	Art no	Article
10	HB824500004+11	Hand control, two motors, Linak
11	HB834500003+11	Hand control, three motors, Linak
12	FS1001	Foot control, one motor, Linak
13	TFS-3-2-2	Foot control, one motor, Ad-motion
14	FS2001	Foot control, two motors, Linak
15	FS3001	Foot control, three motors, Linak
16	491009	Control unit, Timotion
17	491008	Motor Timotion
18	CB9140AE3+0001J	Control unit, Linak
19	314100+1115004E	Lifting motor, Linak
20	312100+3115004C	Backrest motor, Linak
21	312100+1110004C	Trendelenburg motor, Linak

3.6 Accessories



Central locking castors



White C-locking castors



Neck cushion



*Side rails and
pad with face aperture*



Armrest



IV stand

Accessories not in picture

60, 80 or 90 cm width

Battery backup (for electric tables only)

Electrically adjustable (for electric tables only)

Electrically adjustable Trendelenburg (for electric tables only)

3.7 Solutions for lubrication, cleaning and disinfecting

R-1, Cleaning solution for artificial leather

5557001, Lubrication

C068, Disinfection solution, DAX Plus



Cleaning solution



Lubrication



Disinfection

4. TECHNICAL SPECIFICATIONS

4.1 Dimensions

Length 200 cm

Length backrest 75 cm

Width 70 cm

Weight 67 kg

Height 53-91 cm

Max load 200 kg

Angle backrest 71°

Angle Trendelenburg -14°

4.3 Motors and control units

The motors comply with EMC directives in accordance with standard EN 60601-1-2.

At full load, the motors can be used a maximum of 6 minutes/hour. The actuator manufacturer guarantees at least 10 000 cycles performance.

Control units

Max. usage time 10% or 6 min/h at continuous operation. Complies with directives in accordance with standard EN 60601-1.

4.4 Battery backup

(optional)

General

The batteries used in the control unit are sealed lead batteries.

The included power cord should be plugged into an electrical outlet with 230 volts. The charger will recharge the battery in less than 12 hours. The charger can safely be connected for charging for extended periods.

If a battery is not used for a long time, it will gradually lose its stored energy. It is therefore recommended that the batteries are recharged at least 8 hours before usage.

Battery life

Battery life depends on several factors including the extent of discharging. If the battery is discharged too extensively between charges the lifespan will be reduced. Charging as often as possible is recommended.

The built-in buzzer "Charge the battery" that is built into the controller will sound when a discharge of 50% has occurred.

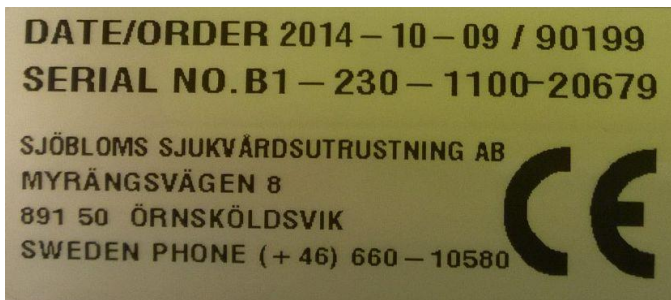
The life expectancy of the batteries is about 500-1200 charge cycles.



NOTE!

When the battery is depleted, the battery should be brought to a battery collection, if applied in your country, to conserve the environment.

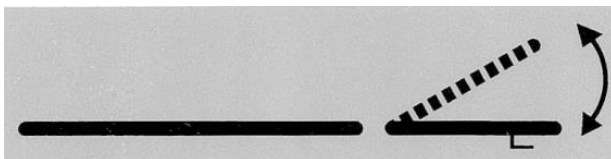
4.5 Labels on the product



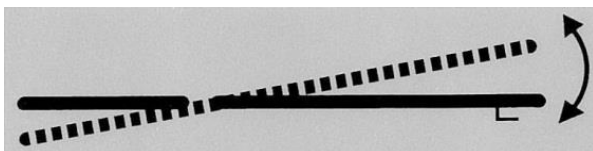
The CE label contains the date, order number, serial number and our contact information.



Maximum loading capacity is 200 kg.



Displays the adjustment of the backrest. There is a label on each side of the table.



Displays the adjustment of the Trendelenburg position. There is a label on each side of the table.

5. EU-DECLARATION OF CONFORMITY

EU-DECLARATION OF CONFORMITY

according to MDD 2007/42/EC including Appendix
and according to CE-marking Directive 93/68/EEC

Type of equipment: Examination table, hydraulic or electric

Trademark: Tarsus

Model:	010-8040	Product registration number: 10394
Model:	010-8041	Product registration number: 10404
Model:	010-8050	Product registration number: 10405
Model:	010-8051	Product registration number: 10406
Model:	010-8551	Product registration number: 57199
Model:	011-8040	Product registration number: 10407
Model:	011-8041	Product registration number: 10408
Model:	011-8050	Product registration number: 10409
Model:	011-8051	Product registration number: 10410
Model:	011-8551	Product registration number: 57200

Manufacturer

Sjöbloms Medical Equipment AB

Myrängsvägen 8

S-891 50 ÖRNSKÖLDSVIK, SWEDEN

Sjöbloms Sjukvårdsutrustning AB ensures that the above products are in accordance with the EU Council MDD 93/42/EEC, as well as the Swedish legislation in force (1993:584) on medical devices and the regulations issued by Medical Products Agency (LVFS 2003:11).

Örnsköldsvik 2015-08-21



Karl-Gunnar Sjöblom

Production Manager

6. CONTACT INFORMATION

TARSUS

Myrängsvägen 8
891 50 Örnsköldsvik
Sweden

Tel: +46 660 105 80

Fax: +46 660 180 00

E-mail: info@tarsus.se

Web page: www.tarsus.eu