

USER MANUAL



EMERGENCY & PATIENT TROLLEY

For models
B1-230-1100-1005, B1-230-1100-1010

NOTE!

**The operator must read the user manual
carefully BEFORE the product is used,
to avoid unnecessary risks to the patient and operator.**

TABLE OF CONTENTS

Foreword

Warranty

Important information

1. Function Description

1.1 General description

2. Operation

2.1 Height adjustment

2.2 Adjusting the backrest

2.3 Adjusting the Trendelenburg position

2.4 The function of the castors

2.5 Side rails

2.6 IV stand

2.7 The handle and the basket

3. Maintenance & Cleaning

3.1 Routine checks

3.2 Cleaning

3.3 Lubrication

3.4 Spare parts

3.5 Accessories

3.6 Solutions for lubrication, cleaning and disinfecting

4. Technical specification

4.1 Dimensions

4.2 Labels on the product

5. EU-Declaration of Conformity

6. Contact details

FOREWORD

Welcome as the owner of a product manufactured by Sjöbloms Sjukvårdsutrustning AB. We hope that you will be pleased and satisfied with our quality product.

If a problem should arise with this or any of our products, you are always welcome to contact us, and our service department will assist you with the expertise needed to solve the problem.

The user manual contains all the information needed to use, maintain and service the product. The document is continuously updated as the products are modified. Therefore we reserve against possible changes in the user manual.

WARRANTY

Sjöbloms provides a two-year warranty for material, design and manufacturing defects, provided the products are not subjected to tampering or excessive wear. For the guarantee to apply, the product must have been used in accordance with the user manual, and the maintenance performed as specified.

IMPORTANT INFORMATION

This product is intended for professional medical use. The user manual should be read carefully before using the product, to avoid unnecessary risks for the patient and operator.

The user manual contains warnings where there is a risk of personal injury, which should be noted. Improper handling can be fatal.

A warning triangle is shown where particularly important information can be found.



Warning Triangle

1. FUNCTIONAL DESCRIPTION

This emergency patient trolley is meant for professional use in health care, for examination of the patient.

It is designed to be a functional and user-friendly tool for the operator and patient.



Note that the product must only be used by competent health professionals who read the user manual, for correct handling.

General description

Emergency patient trolley hydraulically adjustable, chromium-plated all-welded steel tube chassis. Backrest and Trendelenburg adjusted by gas spring.

Removable mattress without handles, available in 5 or 10 cm thickness. The 5 cm model is padded with foam plastic. The 10 cm is filled with a mix of two materials, half of which is a pressure-relief material.

Central locking easy roll 150 mm castors with one direction locking castor to facilitate transfer.

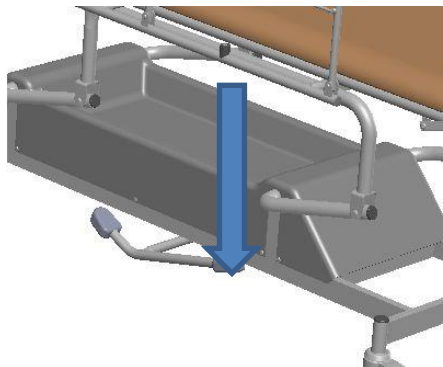
Accessories like IV stand and siderails are available.

2. OPERATION

2.1 Height adjustment

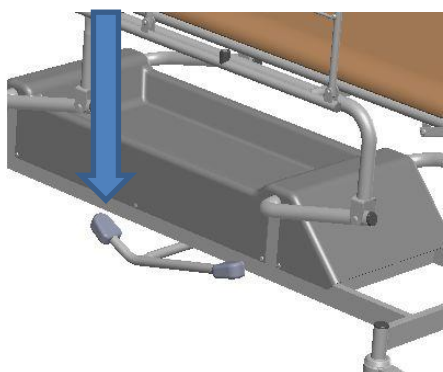
To raise the emergency trolley

Pump the longer part of the pedal to raise the chassis to the desired height.



To lower the emergency trolley

Press the shorter part of the pedal to lower the chassis to a desired height.

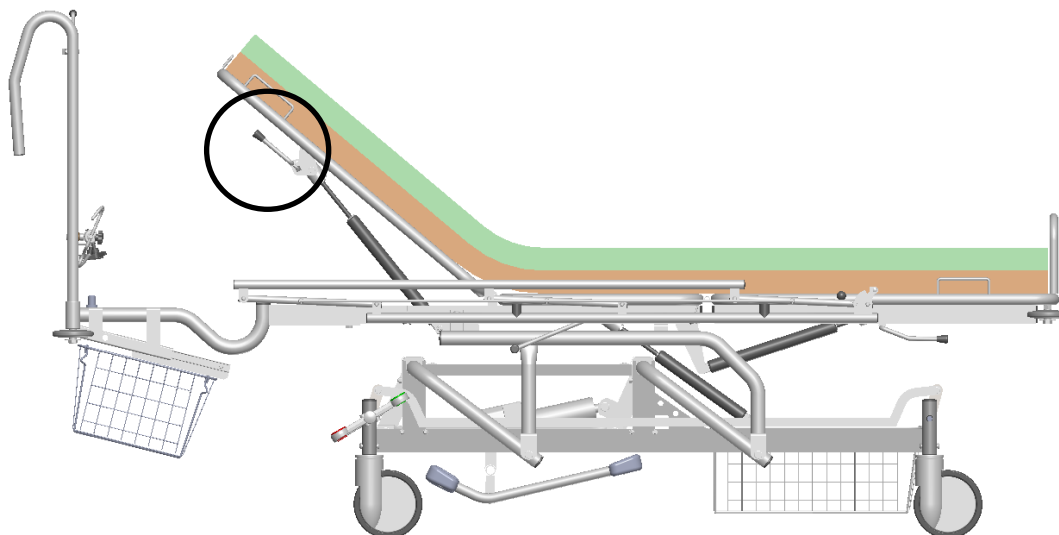


Ensure that no unauthorized persons are in the couch's working range, as a pinch hazard exists when raising and lowering the product.

2.2 Adjusting the backrest

Raising the backrest

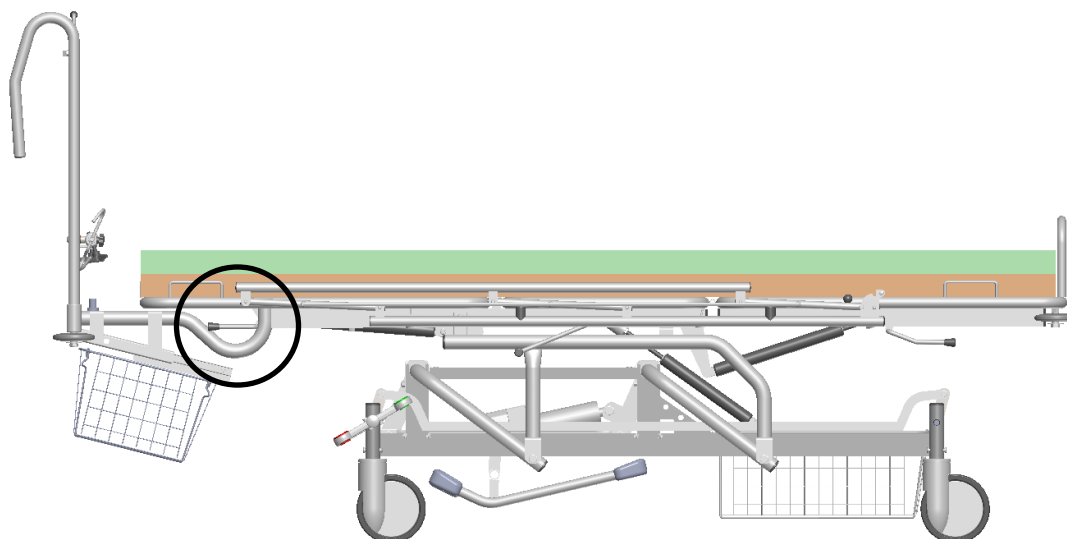
Press at least one of the handles that are positioned on the side of the back rest.



Press the handle and the gas piston helps to raise the back rest (variably adjustable).

Lowering the back rest

Push the handle in again and push the back rest down.

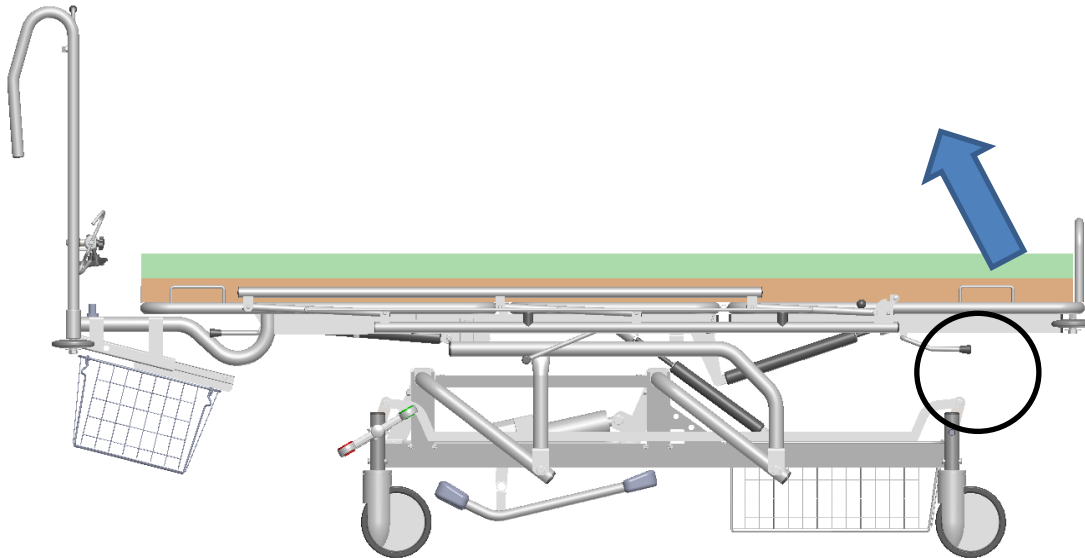


Ensure that no unauthorized persons are in the couch's working range, as a pinch hazard exists when raising and lowering the product.

2.3 Adjusting the Trendelenburg position

Raising the Trendelenburg

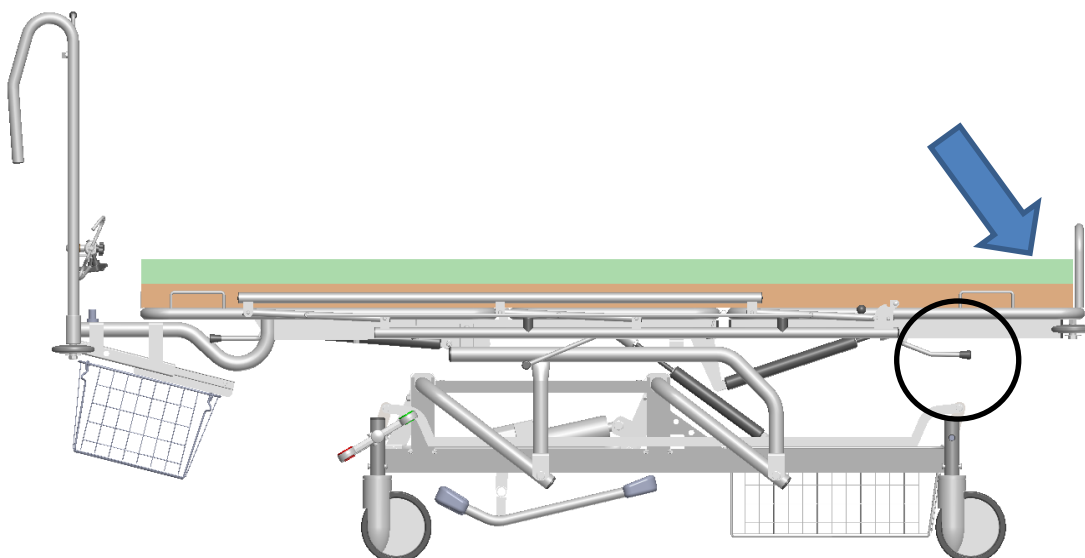
Stand at the foot-end side of the couch. Press one or both handles.



Press the handle and the gas piston helps to raise the Trendelenburg position (variably adjustable).

Lowering the Trendelenburg

Press the handle while pushing the top downwards.

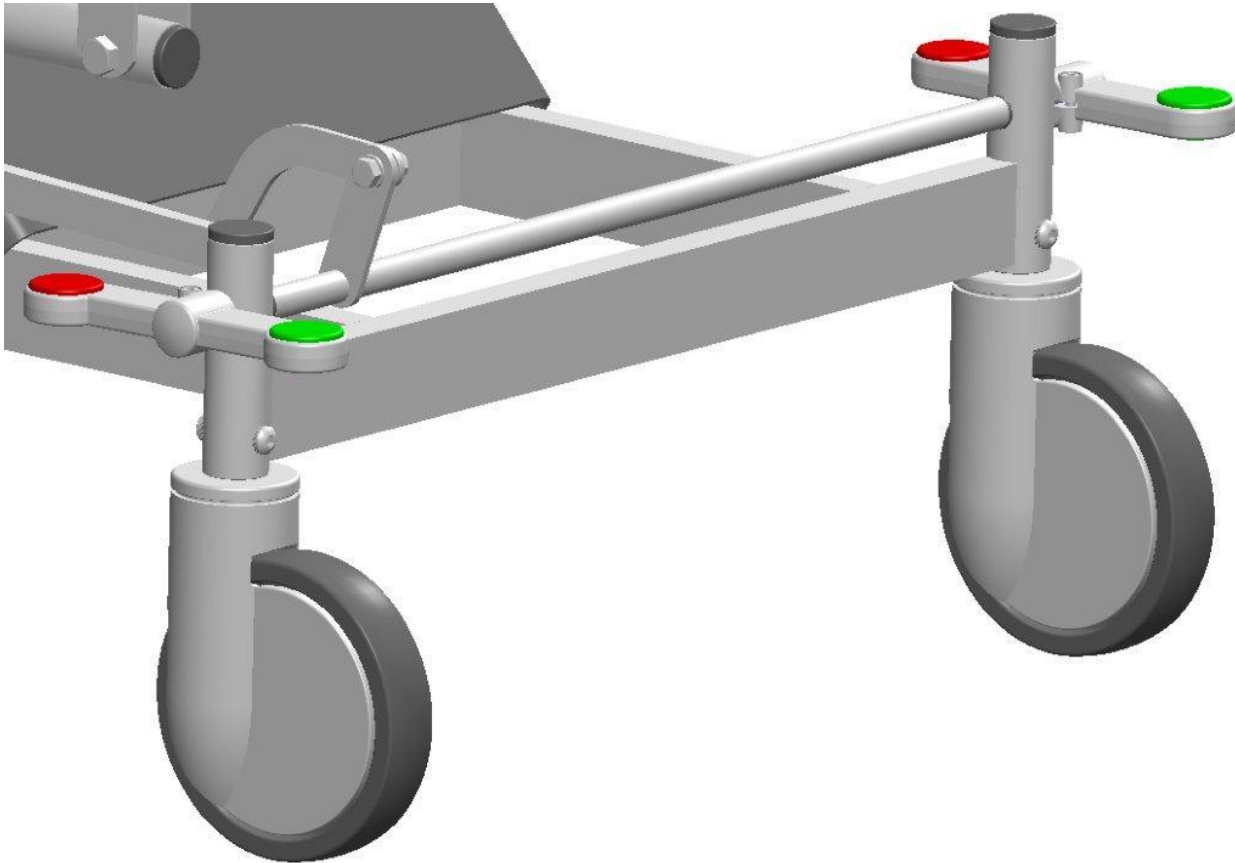


Ensure that no unauthorized persons are in the couch's working range, as a pinch hazard exists when raising and lowering the product.

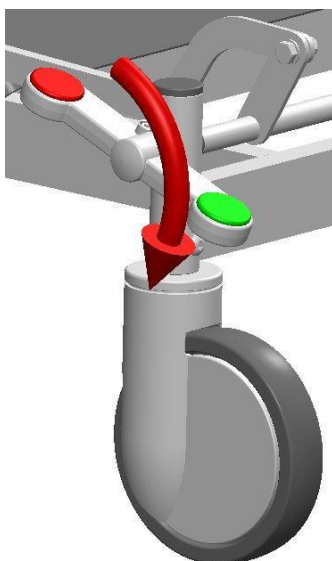
2.4 The function of the castors

The patient trolley is equipped with central locking castors and a directional-locking function, which helps transporting the chassis straight in long corridors.

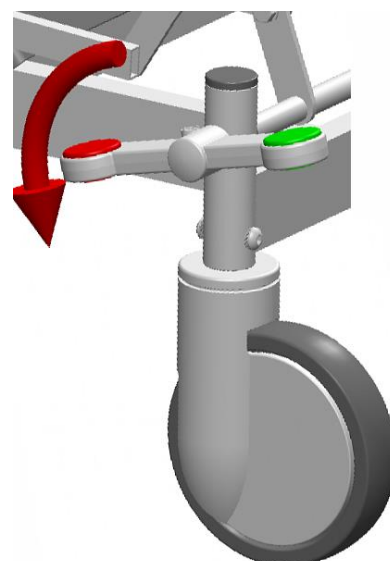
Unlocked castors



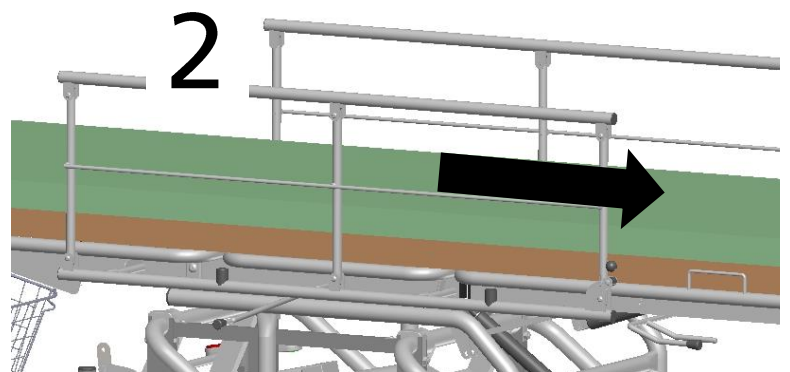
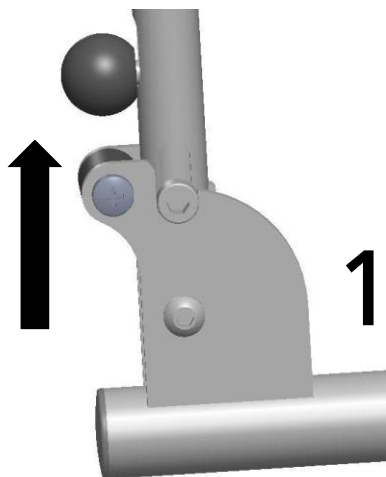
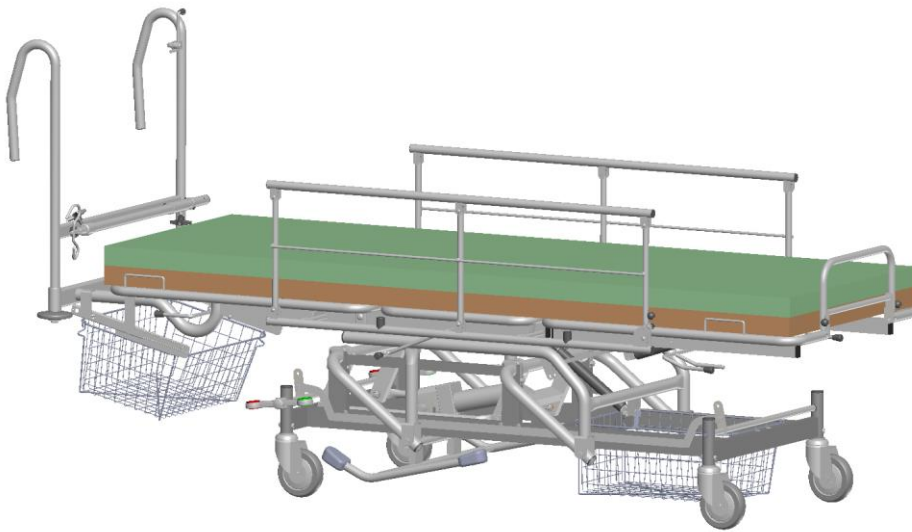
Directional locked mode



Braked mode



2.5 Siderails



1. Lift the black ball.
2. Fold the siderails using the other hand in the direction of the arrow.

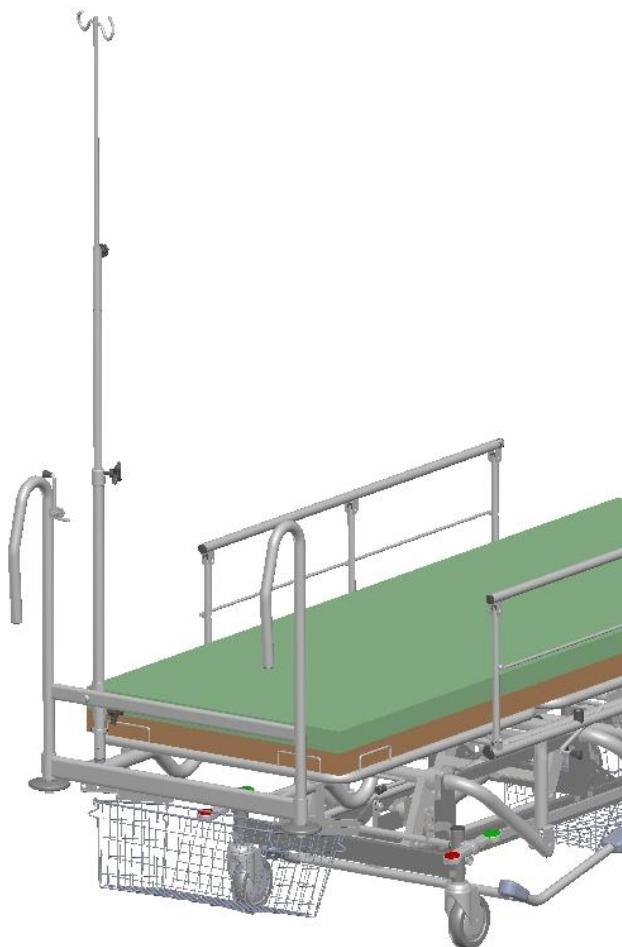
Done!

When raising the siderails, make sure its mechanic clicks into position indicating it is fully raised.

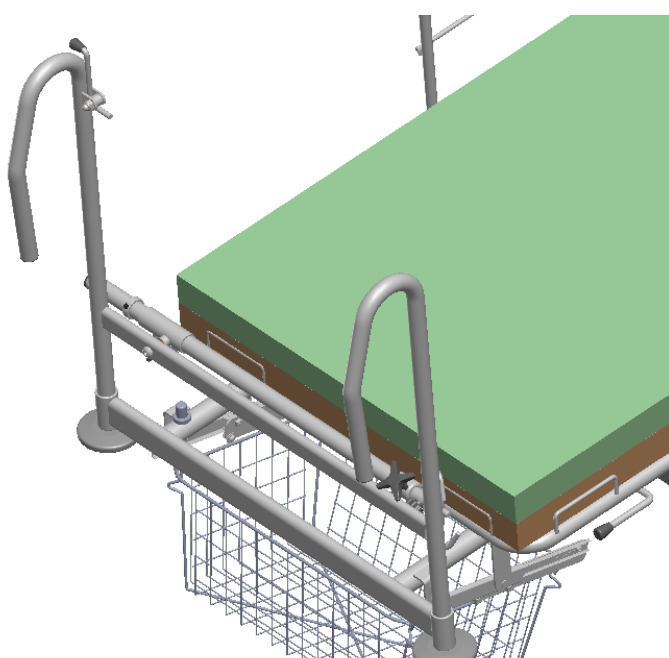


Pinch hazard exists when raising and lowering the side rails.

2.6 IV stand



The IV stand may be adjusted in height. Lock/open the knob and adjust the height.



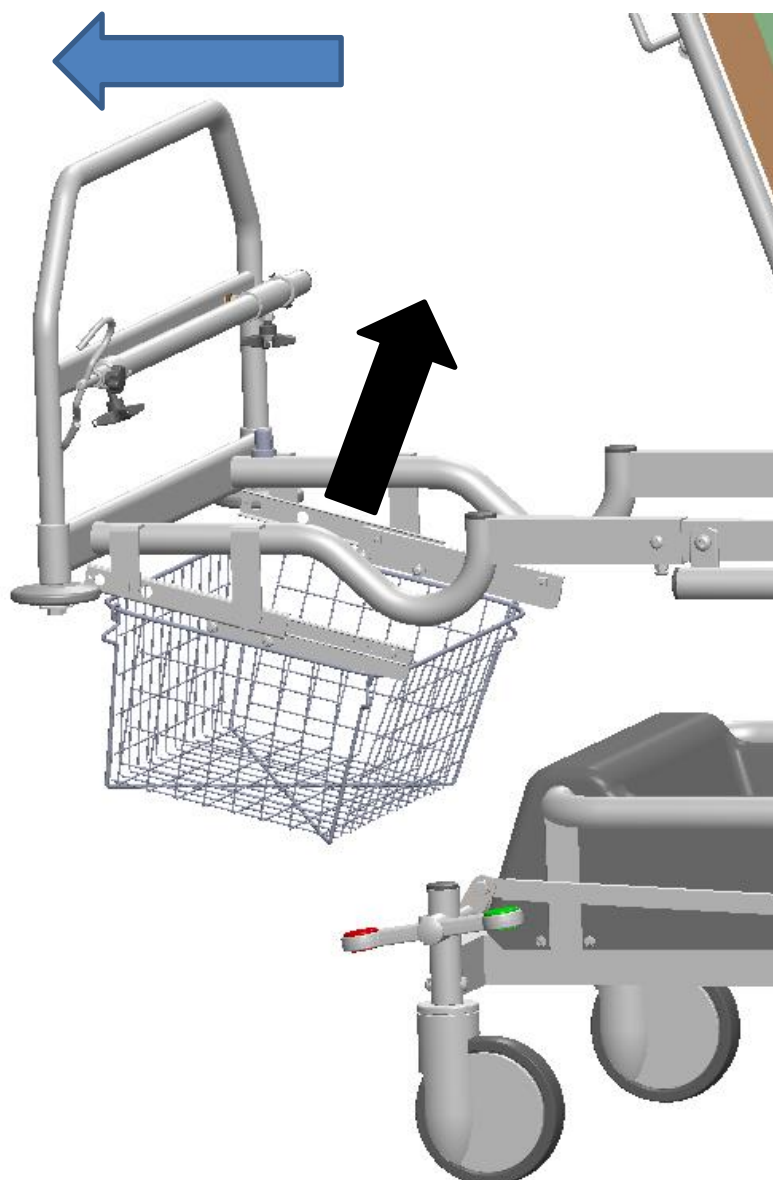
When the IV stand is folded, it may be stored as shown left.



NOTE!

It is not permitted to use the IV stand as a handle when pushing/pulling the patient trolley. Doing so bends the rod, so that the IV stand is impossible to height adjust.

2.7 The handle and basket



The handle may be moved backwards and the basket removed if needed.

3. MAINTENANCE AND CLEANING

3.1 Routine check-ups

Routine inspections should be made to ensure proper functionality.



Important!

Failure to perform the following routine can cause the patient and/or operator to be exposed to unnecessary risks and the couch may have a reduced life expectancy. Please check all functions and parts on a regular basis.

Check the following:

- Any unusual sounds.
- Gas piston functions.
- Castors and castor locking mechanism.
- That joints and fittings are lubricated according to the lubrication chart.

3.2 Cleaning

Cleaning of imitation leather

During normal cleaning, warm water and a mild soap solution should be used. Stronger cleaning agents should be avoided whenever possible.

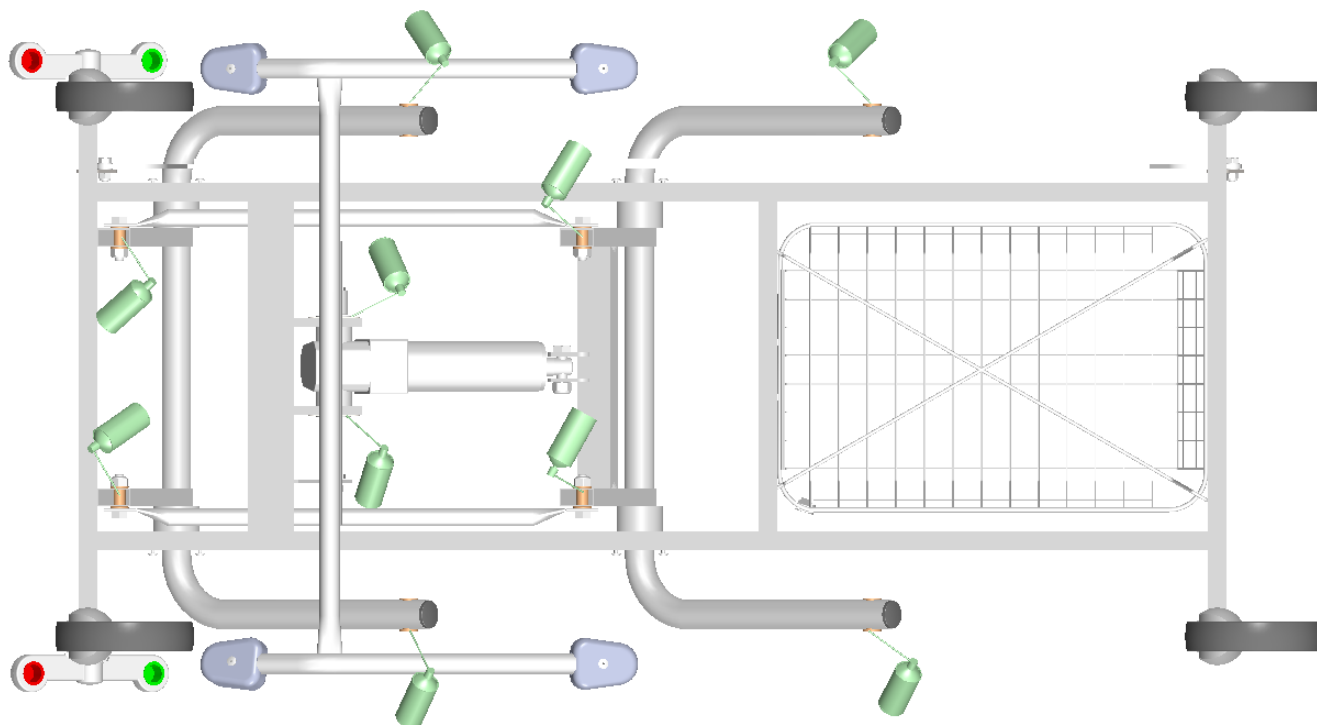
If it nonetheless becomes necessary to use stronger agents, it is important to wipe with a damp cloth.

Disinfection

If the product needs to be disinfected, use only solutions with low concentration of alcohol. A solution with high concentration of alcohol can have a drying effect, which means that the imitation leather's properties deteriorate and cracks can form. The manufacturer of the artificial leather recommends DAX or similar, our **article no. C068**.

3.3 Lubrication

Lubrication according to the schedule should be performed every 6 months or as needed.



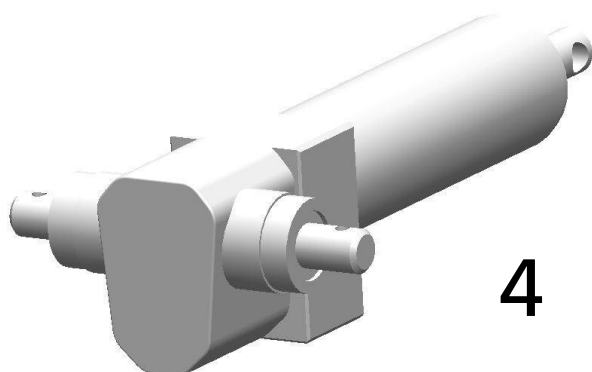
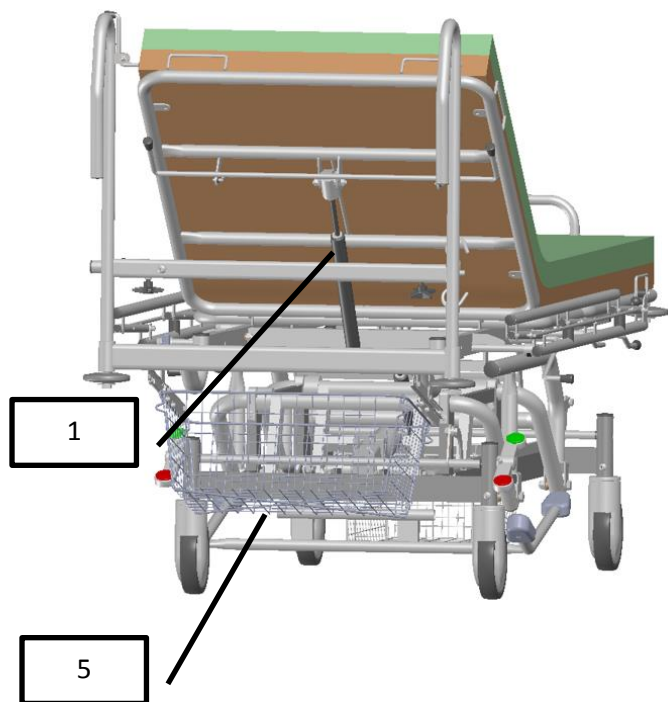
1. First lock the castors.
2. Enlist the help of another person and tip the couch on the side, in order to lubricate the moving joints.

The spray can in the pictures above indicates where to lubricate.

3.4 Spare parts



No	Art no	Article
1	G0001-M	Gas spring
2	00027848	Castor
3	00032427	Castor, directional locking
4	HY001	Hydraulic pump
5	040-5001	Basket



3.5 Accessories



IV stand, siderails

3.6 Solutions for lubrication, cleaning and disinfection

R-1, Cleaning solution for artificial leather

5557001, Lubrication

C068, Disinfection solution, DAX Plus



Cleaning solution



Lubrication



Disinfection

4. Technical specification

4.1 Dimensions

Length: 200 cm (215 including bumper wheels)

Width: 70 cm

Width including bumper wheels: 73 cm

Width including siderails: ca 78 cm

Height: 53-91 cm

Length of backsupport: 75 cm

Angle of backsupport: +64°

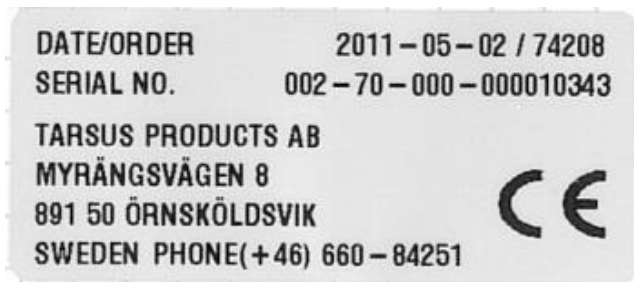
Trendelenburg position angle 15 ° above the horizontal position, -10 ° below.

Weight: ca 68 kg

Max patient weight: 200 kg

SWL: 220 kg

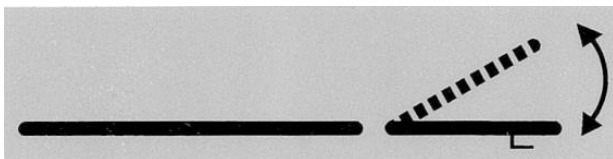
4.5 Labels on the product



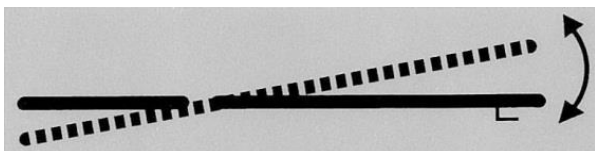
The CE label contains the date, order number, serial number and our contact information.



Max patient weight 200 kg.



Displays the adjustment of the back rest. There is a label on each side of the chair.



Displays the adjustment of the Trendelenburg position. There is a label on each side of the chair.

5. EU-DECLARATION OF CONFORMITY

EU DECLARATION OF CONFORMITY

according to MDD 2007/42/EC including Appendix
and according to CE-marking Directive 93/68/EEC

Type of equipment: Patient trolley, hydraulically adjustable

Manufacturer: Sjöbloms Sjukvårdsutrustning AB

Model: B1-230-1100-1005 Product registration number: 13814

Model: B1-230-1100-1010 Product registration number: 13814

The appendix contains documents that have been applied for verification of compliance.

Manufacturer

Sjöbloms Sjukvårdsutrustning AB

Myrängsvägen 8

S-891 50 Örnsköldsvik, SWEDEN

Additional Information Directive for Medical Technical Products

The product complies with the harmonized standards, other standards and technical specifications listed in the appendix.

Sjöblom works in accordance with SS-EN ISO 9001:2000 and is second-party certified for this standard, which ensures consistency between the manufactured product and the technical documentation.

As a manufacturer we can ensure under our own responsibility that the product complies with the directives listed above.

Örnsköldsvik 2011-06-22



Karl-Gunnar Sjöblom

Production Manager

**Appendix to
Declaration of Conformity**

The following harmonized standards have been applied:

Standards	Date	Listing
SS-EN 60601-1 C1	2010-05-06	
SS-EN 60601-1-2 C1	2010-05-06	

The following company standards or other technical specifications have been applied:

Standards	Date	Listing
LVFS 2009:18	2009-10-08	Relevant requirements of the law on medical technical devices

6. CONTACT INFORMATION

SJÖBLOMS

Myrängsvägen 8

891 50 Örnsköldsvik

Sweden

Tel: +46 660 105 80

Fax: +46 660 180 00

E-mail: info@sjobloms.com

Web page: www.sjobloms.com