



USER MANUAL



TWO-SECTIONED EXAMINATION TABLE 300 KG LIFTING CAPACITY

For model:
A5-011-8551

NOTE!

**The operator must read the user manual
carefully BEFORE the product is used,
to avoid unnecessary risks to the patient and operator.**

TABLE OF CONTENTS

Foreword

Warranty

Important information

1. Function Description

1.1 General description

2. Operation

2.1 When the patient sits down

2.2 Connection

2.3 Height adjustment

2.4 Adjusting the backrest

2.5 Adjusting the Trendelenburg position

2.6 Replacing the paper roll

2.7 Paper dispenser

2.8 The function of the castors

2.9 Side rails

2.10 IV stand

3. Maintenance & Cleaning

3.1 Routine examinations

3.2 Cleaning

3.3 Lubrication schedule

3.4 Spare parts

3.5 Accessories

3.6 Solutions for lubrication, cleaning and disinfecting

4. Technical specification

4.1 Dimensions

4.2 Motors and control units

4.3 Battery backup

4.4 Labels

5. EU-Declaration of Conformity

6. Contact details

FOREWORD

Welcome as the owner of a product manufactured for Tarsus by Sjöbloms Sjukvårdsutrustning AB. We hope that you will be pleased and satisfied with our quality product.

If a problem should arise with this or any of our products, you are always welcome to contact us, and our service department will assist you with the expertise needed to solve the problem.

The user manual contains all the information needed to use, maintain and service the product. The document is continuously updated as the products are modified. Therefore we reserve against possible changes in the user manual.

WARRANTY

Sjöbloms provides a two-year warranty for material, design and manufacturing defects, provided the products are not subjected to tampering or excessive wear. For the guarantee to apply, the product must have been used in accordance with the user manual, and the maintenance performed as specified.

IMPORTANT INFORMATION

This product is intended for professional medical use. The user manual should be read carefully before using the product, to avoid unnecessary risks for the patient and operator.

The user manual contains warnings where there is a risk of personal injury, which should be noted. Improper handling can be fatal.

A warning triangle is shown where particularly important information can be found.



Warning triangle

1. FUNCTIONAL DESCRIPTION

This product is meant for professional use in health care, for examination of the patient.

It is designed to be a functional and user-friendly tool for the operator and patient.



Note that the product must only be used by competent health professionals who read the user manual, for correct handling.

General description

2-sectioned examination table, electrically adjustable, chromium-plated or coated all-welded steel tube chassis. Backrest and Trendelenburg adjusted by electric motors. The cushions are stuffed with extra thick foam plastic and upholstered with imitation leather.

125mm swivel central-locking double-castors, one with directional locking. Various accessories such as neck pillow, IV stand etc. are also available.

2. OPERATION

2.1 When the patient sits down



We recommend to always have the castors locked when the patient sits down.

For maximum safety, have the patient sit down on the middle of the couch.



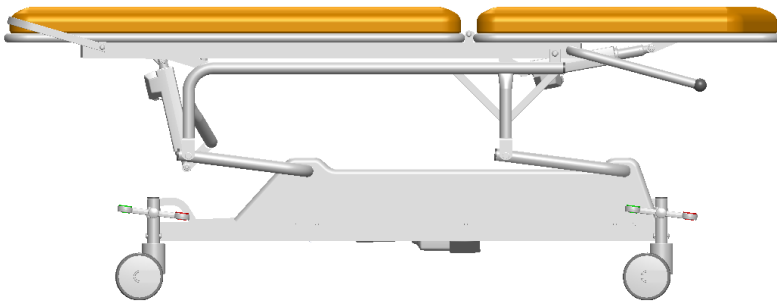
NOTE!

It is not possible to sit on the backrest.

2.2 Connection

The plug should be connected to a grounded 230V outlet. The product is now ready for use.

2.3 Height adjustment

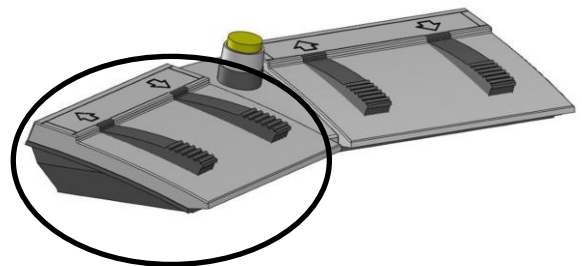


Electric, hand control
(standard)



Follow the symbols and arrows to regulate the couch.

Electric, foot control
(option)



Follow the symbols and arrows to regulate the couch.



Ensure that no unauthorized persons are in the couch's working range, as a pinch hazard exists when raising and lowering the product.

2.4 Adjusting the backrest



Electric, hand control

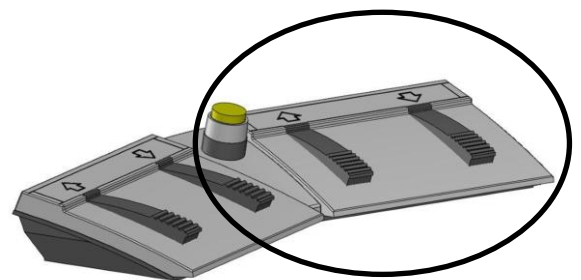


Follow the symbols and arrows to regulate the couch.



Ensure that no unauthorized persons are in the couch's working range, as a pinch hazard exists when raising and lowering the product.

Electric, foot control

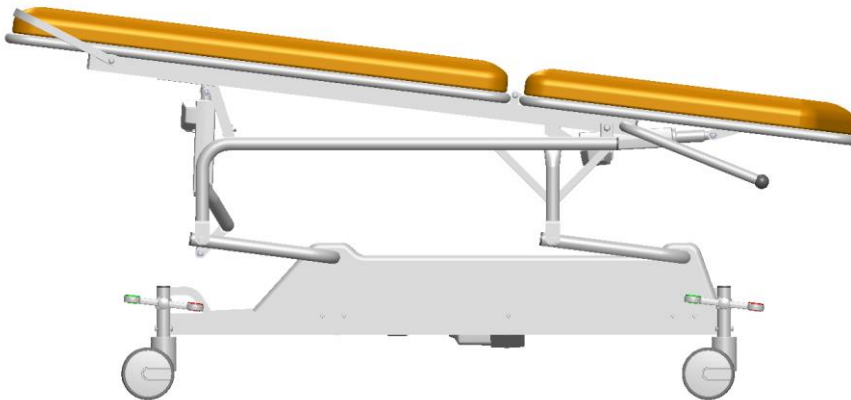


For exam table with two motors:
The right pair regulates the backrest.

The left pair regulates the height of the table.

The right pair regulates the backrest and/or the Trendelenburg position. Press the middle switch to change between the two functions.

2.5 Adjusting the Trendelenburg position

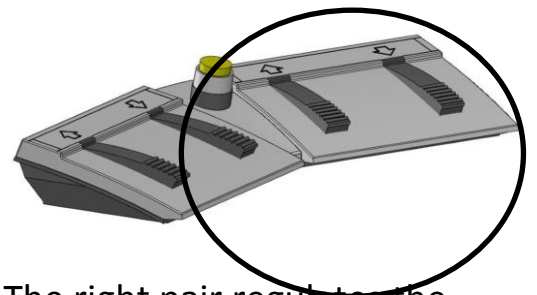


Electric, hand control



Follow the symbols and arrows to regulate the couch.

Electric, foot control (optional)



The right pair regulates the backrest and/or the Trendelenburg position. Press the middle switch to change between the two functions.

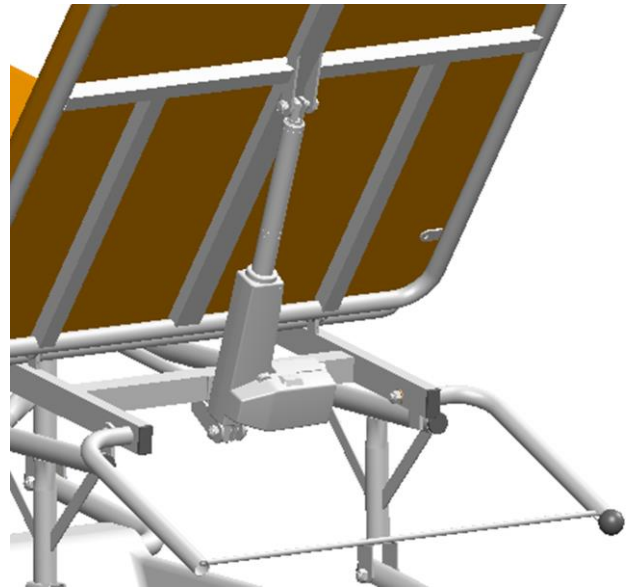
The left pair regulates the height of the table.



Ensure that no unauthorized persons are in the couch's working range, as a pinch hazard exists when raising and lowering the product.

2.6 Replacing the paper roll

- a) Unscrew the black ball.
- b) Push the metal rod to the left.
- c) Pull the rod gently towards you until it comes loose on the right side.
- d) Pull the rod gently to the right. The rod is now loose and you can put on a new paper roll.
- e) Put the rod back on the left side.
- f) Put the rod back on the right side, in the score.
- g) Push the rod to the right.
- h) Screw the ball tight again.



2.7 Paper dispenser

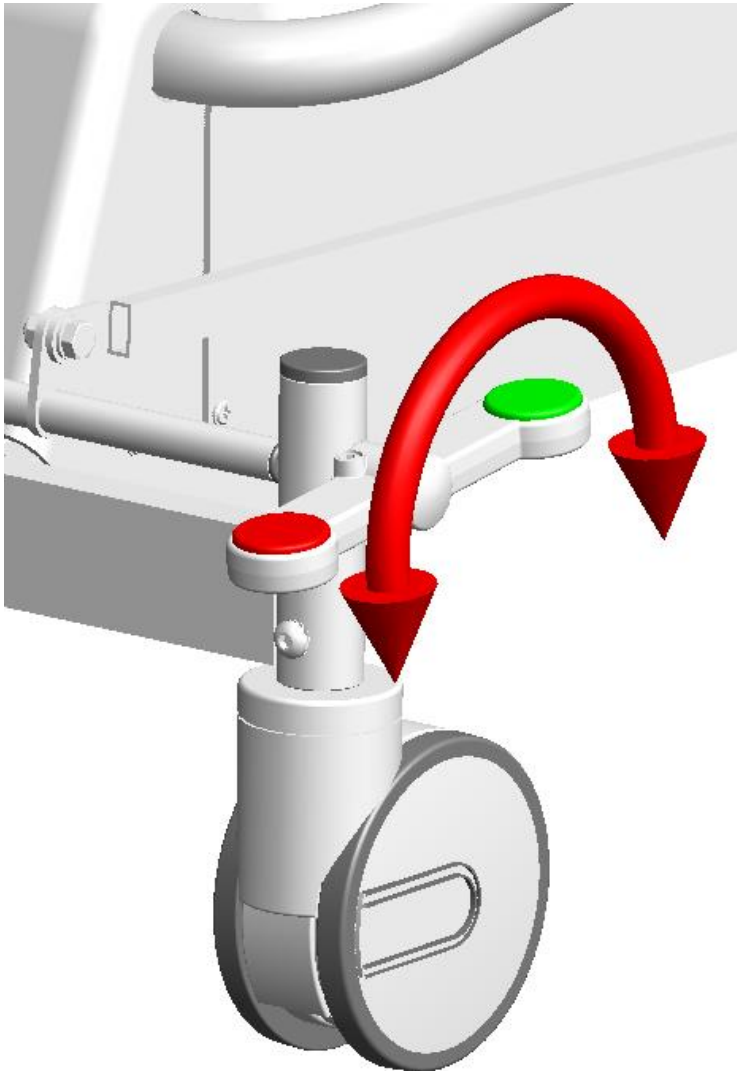
Flip the tear-off edge open and pull out new paper. Cover the table with the paper.

Fix the paper into place by pressing down the tear-off edge. Tear off the old paper on the tear-off edge, and the table is ready to be used again.



2.8 The function of the castors

The table is equipped with central locking castors including a directional locking function.

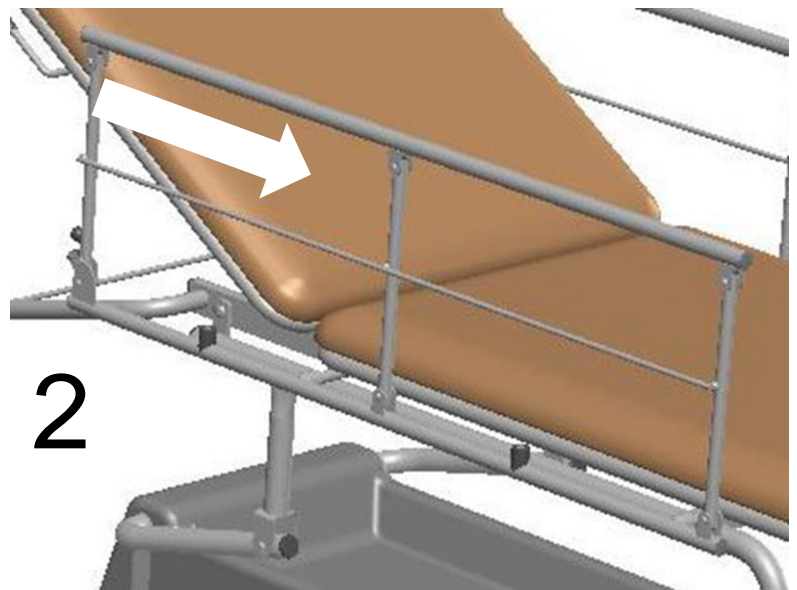
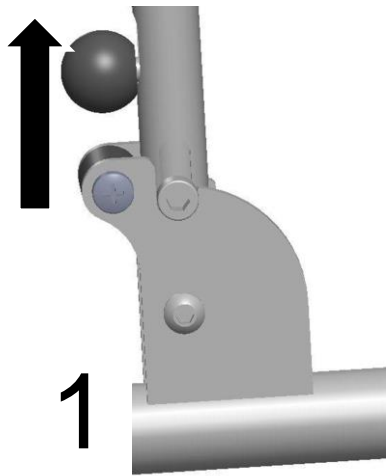
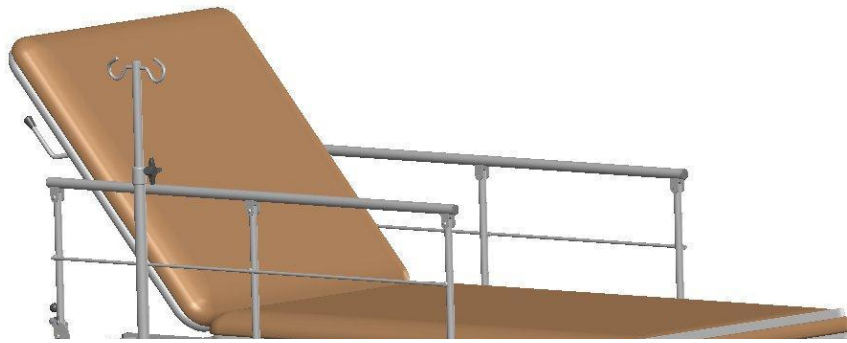


Press the red side to lock the castors.

Press the green side to activate the directional locking function.

Have the castors as shown above for a free mode.

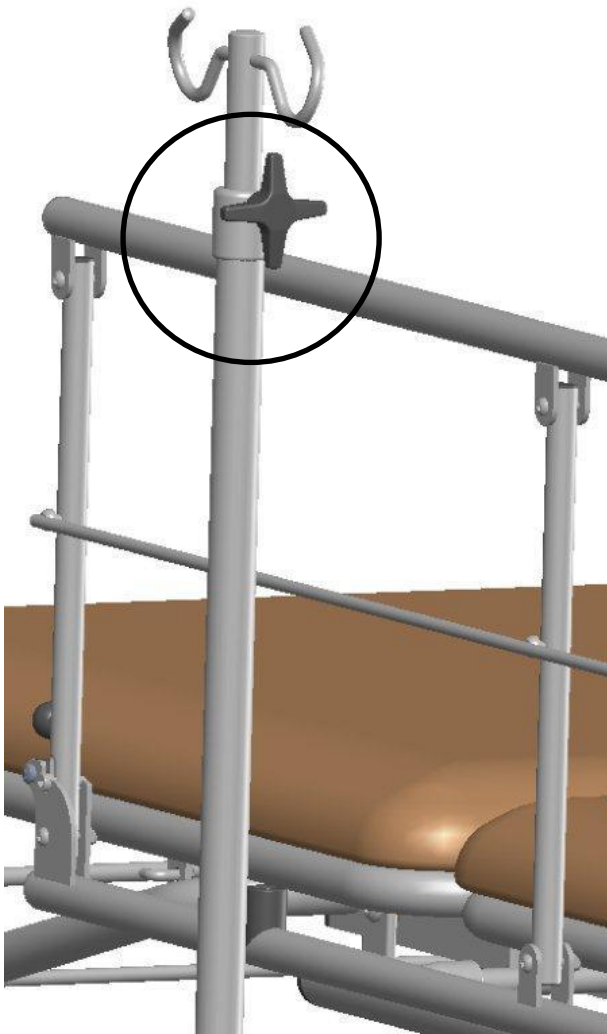
2.9 Side rails



1. Lift the black ball.
2. Fold the siderails using the other hand in the direction of the arrow.
3. Done!
4. When raising the siderails, make sure its mechanic clicks into position indicating it is fully raised.



2.10 IV stand



The IV stand may be adjusted in height.

Lock/open the knob to adjust the height.



Pinch hazard exists when raising and lowering the side rails.

3. MAINTENANCE & CLEANING

3.1 Routine checks

Routine inspections should be made to ensure proper functionality.



Important!

Failure to perform the following routine can cause the patient and/or operator to be exposed to unnecessary risks and the couch may have a reduced life expectancy. Please check all functions and parts on a regular basis.

Check the following:

- Any unusual sounds.
- Castors and castor locking mechanism.
- Damages to electric cables.
- The motor functions.
- That joints and fittings are lubricated according to the lubrication chart.

3.2 Cleaning

Cleaning of imitation leather

During normal cleaning, warm water and a mild soap solution should be used. Stronger cleaning agents should be avoided whenever possible.

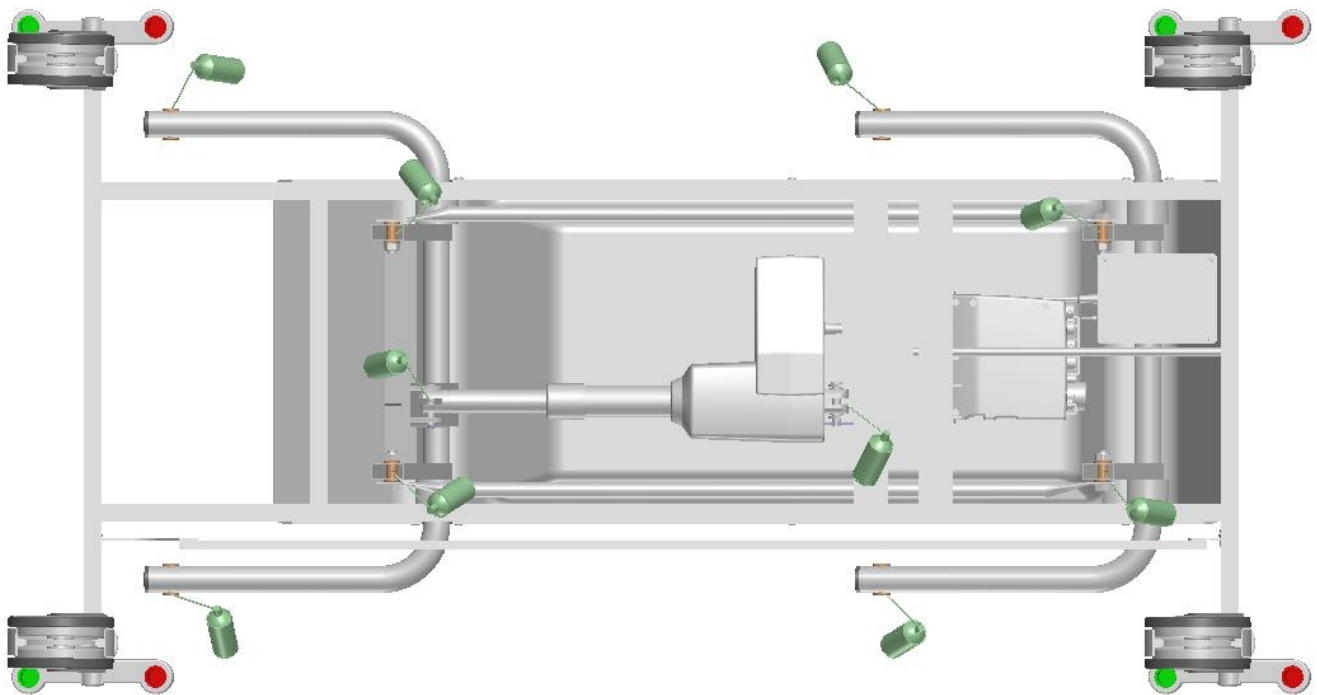
If it nonetheless becomes necessary to use stronger agents, it is important to wipe with a damp cloth.

Disinfection

If the product needs to be disinfected, use only solutions with low concentration of alcohol. A solution with high concentration of alcohol can have a drying effect, which means that the imitation leather's properties deteriorate and cracks can form. The manufacturer of the artificial leather recommends DAX or similar, our **article no. C068**.

3.3 Lubrication

Lubrication according to the schedule should be performed every 6 months or as needed.



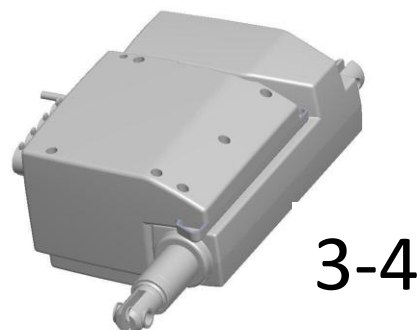
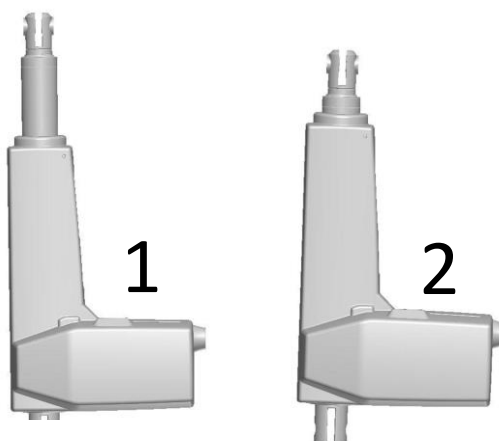
1. First lock the castors.
2. Enlist the help of another person and tip the couch on the side, in order to lubricate the moving joints.

The spray can in the pictures above indicates where to lubricate. Use the Tarsus lubrication oil or the equivalent for best results, **article no. 5557001**.

3.4 Spare parts



| Nr | Art nr | Benämning |
|----|-----------------|------------------------------|
| 1 | 312100+3115004C | Motor, ryggstöd |
| 2 | 312100+1110004C | Motor, chockläge |
| 3 | 343100+0015004A | Motor, lyft |
| 4 | CB9140AE3+0001J | Styrenhet |
| 5 | 12560150OT2LPV | Hjul |
| 6 | 12560150OT3LPV | Hjul riktningsspärrat |
| 7 | HB834500003+11 | Handkontroll Linak |
| 8 | 010-8540 | Pappersrullhållare inkl kula |



3.5 Accessories



Sidogrindar



Infusionsstativ

3.6 Solutions for lubrication, cleaning and disinfecting

R-1, Cleaning solution for artificial leather

5557001, Lubrication

C068, Disinfection solution, DAX Plus



Cleaning solution



Lubrication



Disinfection

4. TECHNICAL SPECIFICATIONS

4.1 Dimensions

Length: 205 cm

Width: 80 cm

Height: 55-85 cm

Length of backrest: 75 cm

Weight: ca 90 kg

Lifting Capacity: 300 kg

4.2 Motors and control units

The motors comply with EMC directives in accordance with standard EN 60601-1-2.

At full load, the motors can be used a maximum of 6 minutes/hour. The actuator manufacturer guarantees at least 10 000 cycles performance.

Control units

Max. usage time 10% or 6 min/h at continuous operation. Complies with directives in accordance with standard EN 60601-1.

4.3 Battery backup

(optional)

General

The batteries used in the control unit are sealed lead batteries.

The included power cord should be plugged into an electrical outlet with 230 volts. The charger will recharge the battery in less than 12 hours. The charger can safely be connected for charging for extended periods.

If a battery is not used for a long time, it will gradually lose its stored energy. It is therefore recommended that the batteries are recharged at least 8 hours before usage.

Battery life

Battery life depends on several factors including the extent of discharging. If the battery is discharged too extensively between charges the lifespan will be reduced. Charging as often as possible is recommended.

The built-in buzzer "Charge the battery" that is built into the controller will sound when a discharge of 50% has occurred.

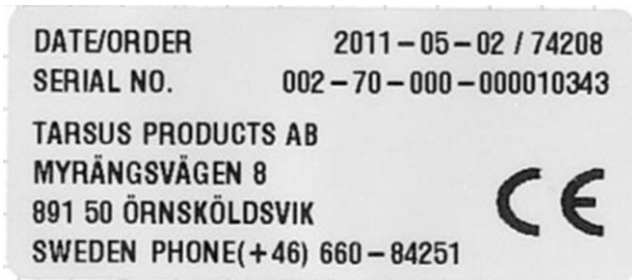
The life expectancy of the batteries is about 500-1200 charge cycles.



NOTE!

When the battery is depleted, the battery should be brought to a battery collection, if applied in your country, to conserve the environment.

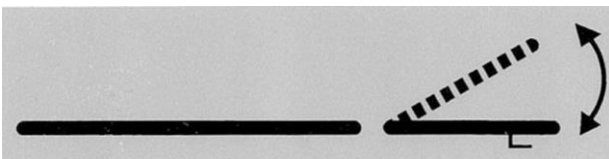
4.4 Labels on the product



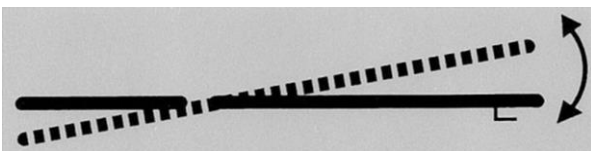
The CE label contains the date, order number, serial number and our contact information.



Maximum loading capacity is 300 kg.



Displays the adjustment of the back rest. There is a label on each side of the table.



Displays the adjustment of the Trendelenburg position. There is a label on each side of the table.

5. EU-DECLARATION OF CONFORMITY

EU-DECLARATION OF CONFORMITY

according to MDD 2007/42/EC including Appendix
and according to CE-marking Directive 93/68/EEC

Type of equipment: Examination table, hydraulic or electric

Manufacturer: Sjöbloms Medical Equipment AB

Trademark: Tarsus

Model: A5-011-8551 Product registration number: 64509

The appendix contains documents that have been applied for verification of compliance.

Manufacturer

Sjöbloms Medical Equipment AB

Myrängsvägen 8

S-891 50 ÖRNSKÖLDSVIK

Additional Information Directive for Medical Technical Products

The product complies with the harmonized standards, other standards and technical specifications listed in the appendix.

We are second-part ISO certified in accordance with SS-EN ISO 9001:2000 and SS-EN ISO 14001:2004.

As a manufacturer we can ensure under our own responsibility that the product complies with the directives listed above.

Örnsköldsvik 2011-07-24



Karl-Gunnar Sjöblom

Production Manager

**Appendix to
Declaration of Conformity**

The following harmonized standards have been applied:

| Standards | Date | Listing |
|--------------------|-------------|----------------|
| SS-EN 60601-1 C1 | 2010-05-06 | |
| SS-EN 60601-1-2 C1 | 2010-05-06 | |

The following company standards or other technical specifications have been applied:

| Standards | Date | Listing |
|------------------|-------------|---|
| LVFS 2009:18 | 2009-10-08 | Relevant requirements of the law on medical technical devices |

6. CONTACT INFORMATION

TARSUS

Myrängsvägen 8
891 50 Örnsköldsvik
Sweden

Tel: +46 660 105 80

Fax: +46 660 180 00

E-mail: info@tarsus.se

Web page: www.tarsus.eu