

AMALIA 9 P S4

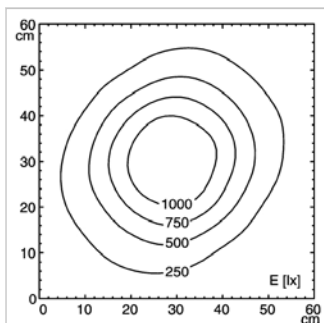
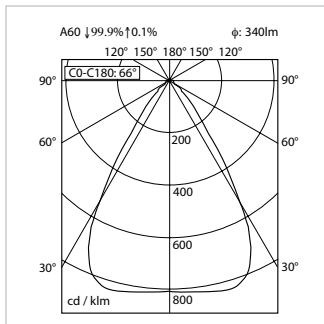
TECHNICAL DATA

FITTED WITH	1 x LED module W - D68.798.000
LUMINOUS POWER	1 000 lux / 0.5 m *
LIGHTING FIELD 0.5 m	Ø 45 cm *
COLOR RENDERING INDEX	CRI > 95, R9 > 90
COLOR TEMPERATURE	3000 K *
OPERATION EQUIPMENT	Electronic plug-in transformer
VOLTAGE	100-240 V; 50/60 Hz
CORD LENGTH	2 m Euro
LUMINAIRE BODY	PC / Aluminium, painted
WEIGHT (NET)	1,5 kg
POWER CONSUMPTION	8 W
LUMINOUS FLUX	340 lm
BALANCE OF ARTICULATION JOINTS	Friction
CLASS OF PROTECTION	II
STANDARDS MET	EN 60598-1, EN 60598-2-25
SPECIAL FEATURES	Rotary feedthrough (360° Turnover axis), Night light (LED)
MOUNTING	Mounting pin (Ø 16 mm)
ACCESSORIES	Universal bedside adapter with roll-out protection, rail fastening with removal protection, table clamp with removal protection, universal fastening with removal protection, wall bracket with removal protection Lamp decor: Foil / Rattan, Lamp shade: white
ORDER NUMBER	D15.250.000-00624990

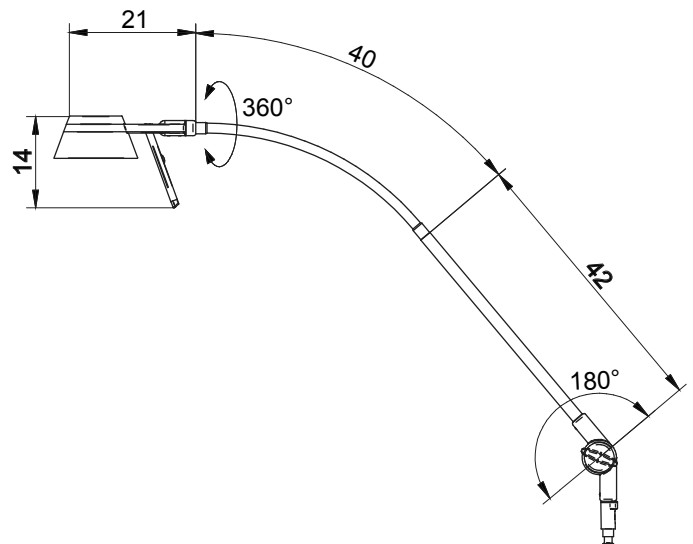
CARE AND READING LIGHTS



LIGHT DISTRIBUTION



TECHNICAL DRAWING



AMALIA 9 P S4 clinic

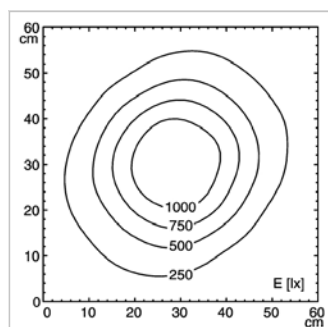
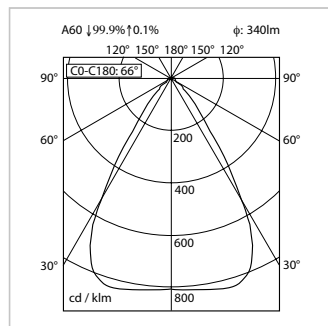
TECHNICAL DATA

FITTED WITH	1 x LED module
LUMINOUS POWER	1 000 lux / 0.5 m *
LIGHTING FIELD 0.5 m	Ø 45 cm *
COLOR RENDERING INDEX	CRI > 95, R9 > 90
COLOR TEMPERATURE	3 000 K *
OPERATION EQUIPMENT	Electronic plug-in transformer
VOLTAGE	100-240 V; 50/60 Hz
CORD LENGTH	2 m Euro
LUMINAIRE BODY	PC / Aluminium, painted
WEIGHT (NET)	1,5 kg
POWER CONSUMPTION	8 W
LUMINOUS FLUX	340 lm
BALANCE OF ARTICULATION JOINTS	Friction
CLASS OF PROTECTION	II
STANDARDS MET	EN 60598-1, EN 60598-2-25
SPECIAL FEATURES	Rotary feedthrough (360° Turnover axis), Night light (LED)
MOUNTING	Mounting pin (Ø 16 mm)
ACCESSORIES	Universal bedside adapter with roll-out protection, adaptation plug (CEE 7/IV; CEE 7/VII/BS 1363 A), rail fastening with removal protection, table clamp with removal protection, universal fastening with removal protection, wall bracket with removal protection, connection to Dewert bed drive control unit (on request) Lamp decor: Foil / Rattan, Lamp shade: white
ORDER NUMBER	D15.360.000-00643366 - pure white Light head and joint - white aluminum

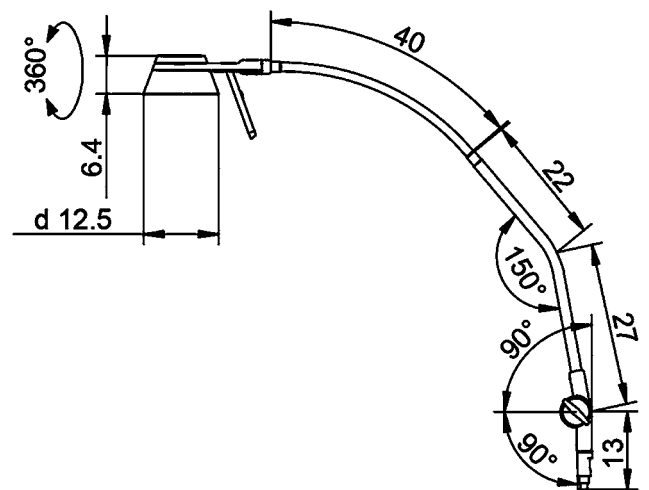
CARE AND READING LIGHTS



LIGHT DISTRIBUTION



TECHNICAL DRAWING



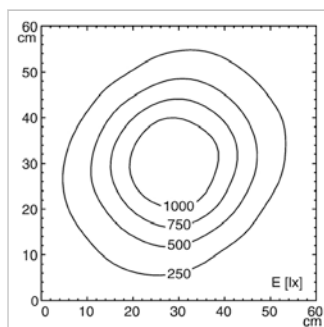
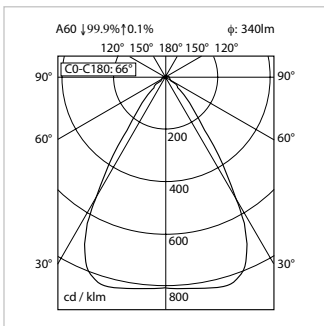
AMALIA 9 P S7

TECHNICAL DATA	
FITTED WITH	1 x LED module
LUMINOUS POWER	1 000 lux / 0.5 m *
LIGHTING FIELD 0.5 m	Ø 45 cm *
COLOR RENDERING INDEX	IRC > 95, R9 > 90
COLOR TEMPERATURE	3 000 K *
OPERATION EQUIPMENT	Electronic plug-in transformer
VOLTAGE	100-240 V; 50/60 Hz
CORD LENGTH	2 m Euro
LUMINAIRE BODY	PC / Aluminium, painted
WEIGHT (NET)	1,5 kg
POWER CONSUMPTION	8 W
LUMINOUS FLUX	340 lm
CLASS OF PROTECTION	II
STANDARDS MET	EN 60598-1, EN 60598-2-25
SPECIAL FEATURES	Rotary feedthrough (360° Turnover axis), Night light (LED)
MOUNTING	Mounting pin (Ø 16 mm)
ACCESSORIES	Universal bedside adapter with roll-out protection, rail fastening with removal protection, table clamp with removal protection, universal fastening with removal protection, wall bracket with removal protection
	Lamp decor: Foil / Rattan, Lamp shade: white
ORDER NUMBER	D15.251.000-00624993

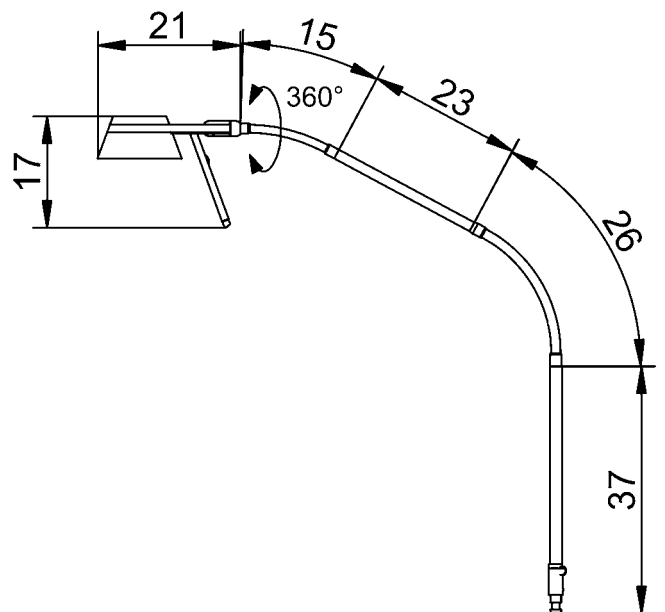
CARE AND READING LIGHTS



LIGHT DISTRIBUTION



TECHNICAL DRAWING



AMALIA 9 B S8

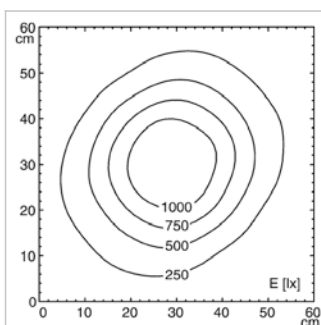
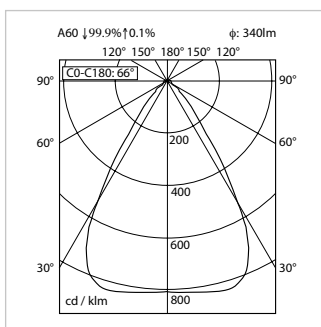
TECHNICAL DATA

FITTED WITH	1 × LED module
LUMINOUS POWER	1000 lux / 0.5 m *
LIGHTING FIELD 0.5 m	Ø 45 cm *
COLOR RENDERING INDEX	CRI > 95, R9 > 90
COLOR TEMPERATURE	3000 K *
OPERATION EQUIPMENT	Electronic plug-in transformer
VOLTAGE	100-240 V; 50/60 Hz
CORD LENGTH	2 m Euro
LUMINAIRE BODY	PC / Aluminium, painted
WEIGHT (NET)	1,5 kg
POWER CONSUMPTION	8 W
LUMINOUS FLUX	340 lm
CLASS OF PROTECTION	II
STANDARDS MET	EN 60598-1, EN 60598-2-25
SPECIAL FEATURES	Rotary feedthrough (360° Turnover axis), Night light (LED)
MOUNTING	Universal bed adapter
ACCESSORIES	Lamp decor: Foil / Rattan, Lamp shade: white
ORDER NUMBER	D15.252.000-00621729

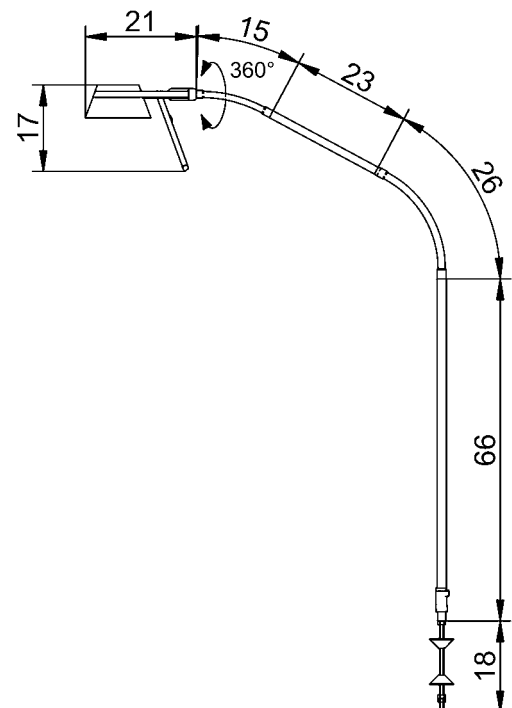
CARE AND READING LIGHTS



LIGHT DISTRIBUTION



TECHNICAL DRAWING

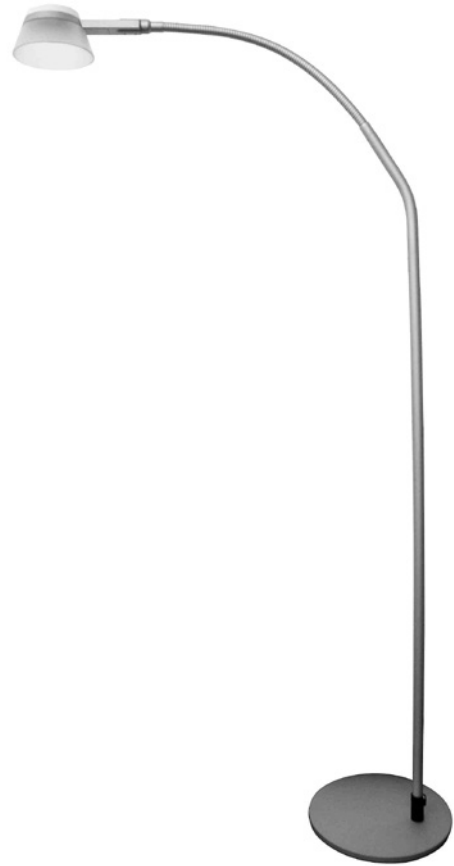


AMALIA 9 F S3 (30°)

TECHNICAL DATA

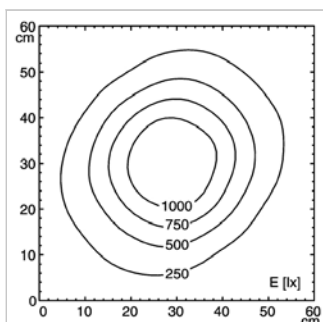
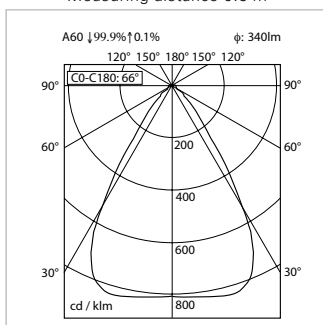
FITTED WITH	1 x LED module
LUMINOUS POWER	1 000 lux / 0.5 m *
LIGHTING FIELD 0.5 m	Ø 45 cm *
COLOR RENDERING INDEX	CRI > 95, R9 > 90
COLOR TEMPERATURE	3000 K *
OPERATION EQUIPMENT	Electronic plug-in transformer
VOLTAGE	100-240 V; 50/60 Hz
CORD LENGTH	2 m Euro
LUMINAIRE BODY	PC / aluminium, painted
WEIGHT (NET)	4,9 kg
POWER CONSUMPTION	8 W
LUMINOUS FLUX	340 lm
CLASS OF PROTECTION	II
STANDARDS MET	EN 60598-1, EN 60598-2-25
SPECIAL FEATURES	Frame angled 30°, reading light and night light switched in sequence, without handgrip, rotary feedthrough (360° Turnover axis)
MOUNTING	Base (floor)
ACCESSORIES	Lamp decor: Foil / Rattan, Lamp shade: white
ORDER NUMBER	D15.382.000-00635063 - white aluminum D15.383.000-00646643 - pure white

CARE AND READING LIGHTS



LIGHT DISTRIBUTION

Measuring distance 0.5 m



TECHNICAL DRAWING

